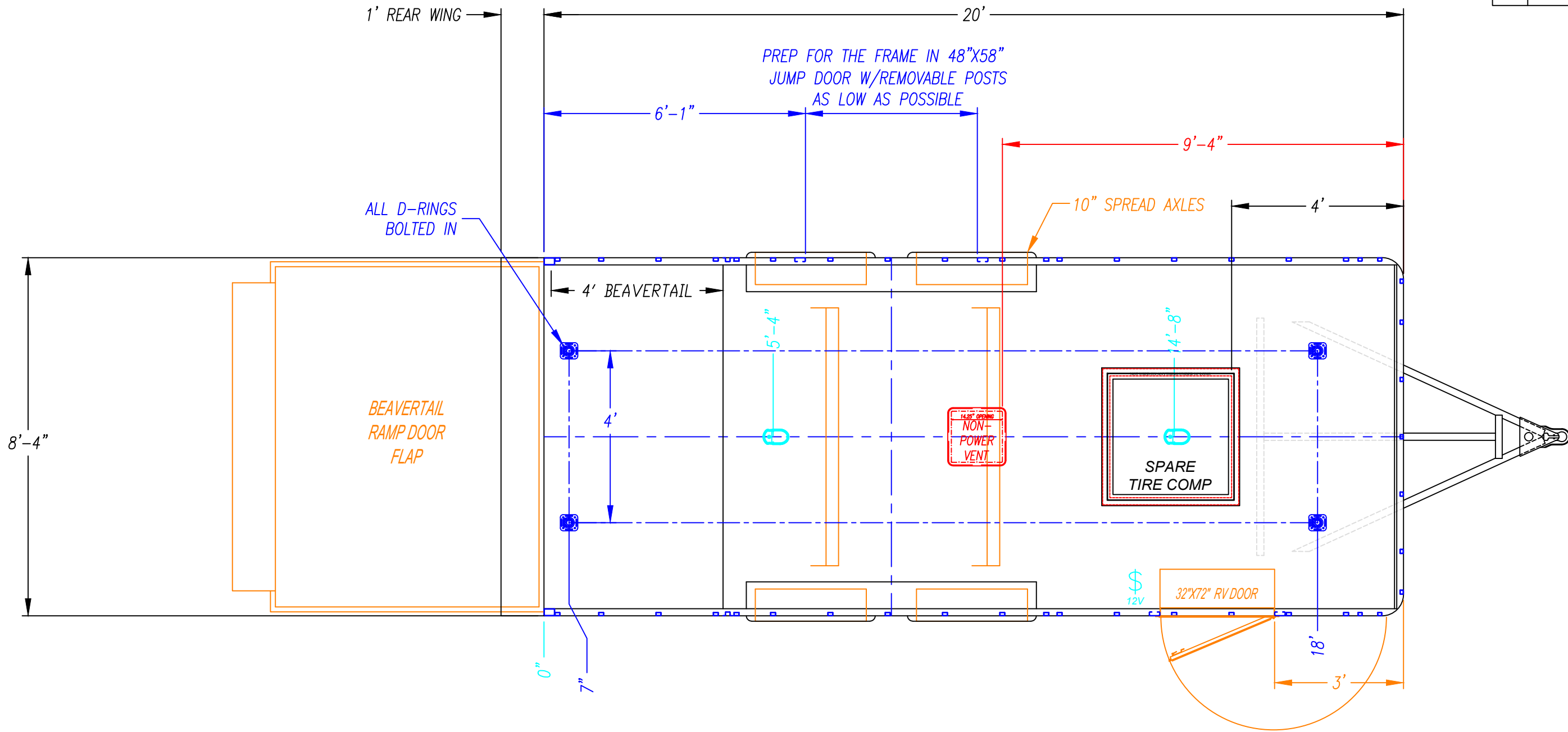


NOTES:
- BOX OF SIDEWALLS

REVISIONS		
REV	DESCRIPTION	DATE



12V Dome Light	STEREO	110V Switch	Motorbase Plug	E-Track
12V Switch	3-Way 12V Switch	Interior Recept	Electrical Box	Swivel D-Ring
Clearance Lights	Stereo Speaker	3-Way Switch	50 AMP Electrical Box	HD D-Ring
Backup Light	Air Inlet/Outlet	GFI Recept	100 AMP Electrical Box	Rope Tie

NOTE: DRAWINGS ARE FOR GRAPHICAL REPRESENTATION ONLY. DIMENSIONS ARE APPROXIMATE & MAY VARY DURING CONSTRUCTION.

CUSTOMER APPROVAL:

DATE:

DEALER APPROVAL:

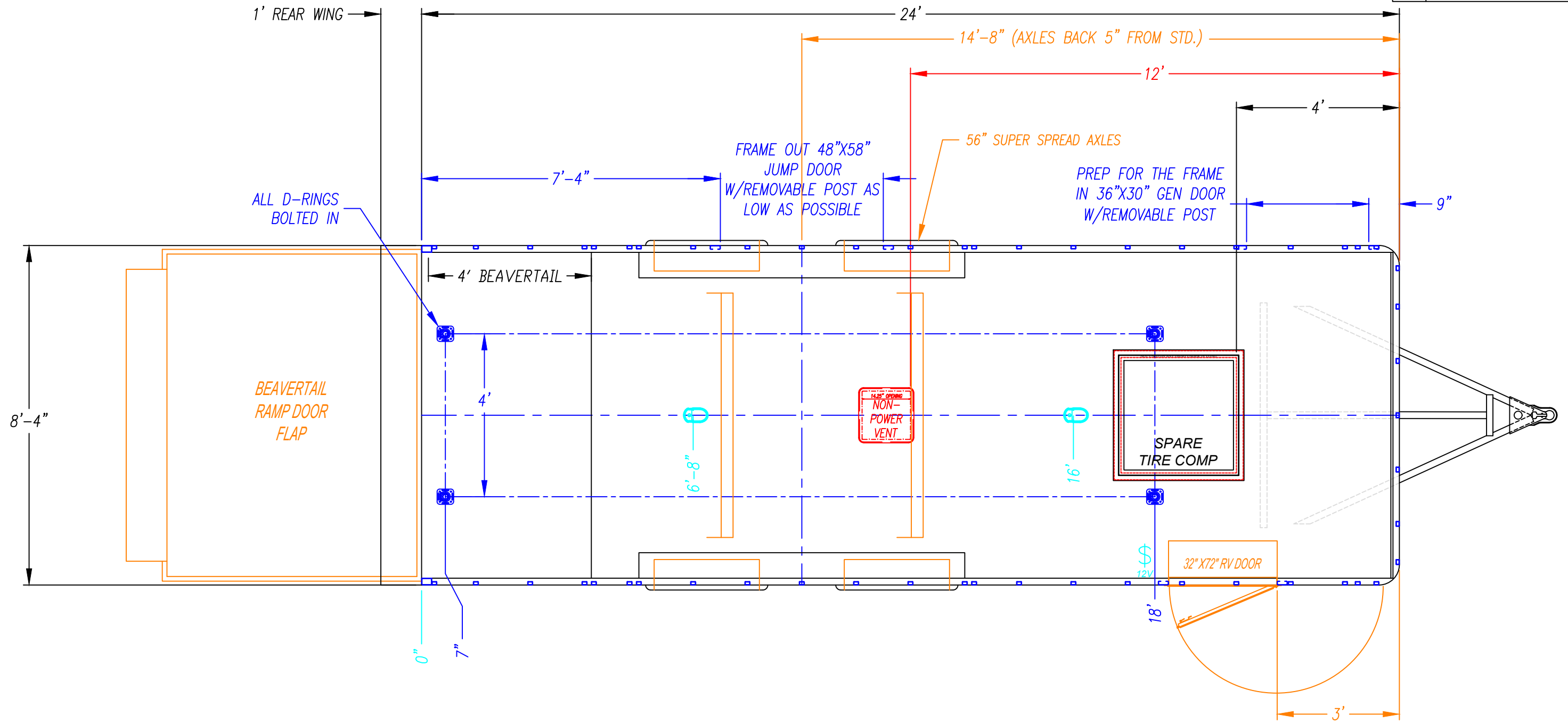
DATE:



DEALER - CLASSIC		ORDER NO.	
DRAWN BY - AC	CUSTOMER - UNITED TRAILERS	WIDTH - 8.5'	TITLE - FLOOR LAYOUT
DATE - 06/17/24	SHEET NO. - 1 OF 1	HEADROOM - 7'	SCALE - (11X17) - 3/8" = 1'
MODEL - CLA-8.520TA		SERIAL NO. SERIAL	

NOTES:
- BOX OF SIDEWALLS

REVISIONS		
REV	DESCRIPTION	DATE



12V Dome Light	STEREO	110V Switch	Motorbase Plug	E-Track
12V Switch	3-Way 12V Switch	Interior Recept	Electrical Box	Swivel D-Ring
Clearance Lights	Stereo Speaker	3-Way Switch	50 AMP Electrical Box	HD D-Ring
Backup Light	Air Inlet/Outlet	GFI Recept	100 AMP Electrical Box	Rope Tie

NOTE: DRAWINGS ARE FOR GRAPHICAL REPRESENTATION ONLY. DIMENSIONS ARE APPROXIMATE & MAY VARY DURING CONSTRUCTION.

CUSTOMER APPROVAL: _____ DATE: _____

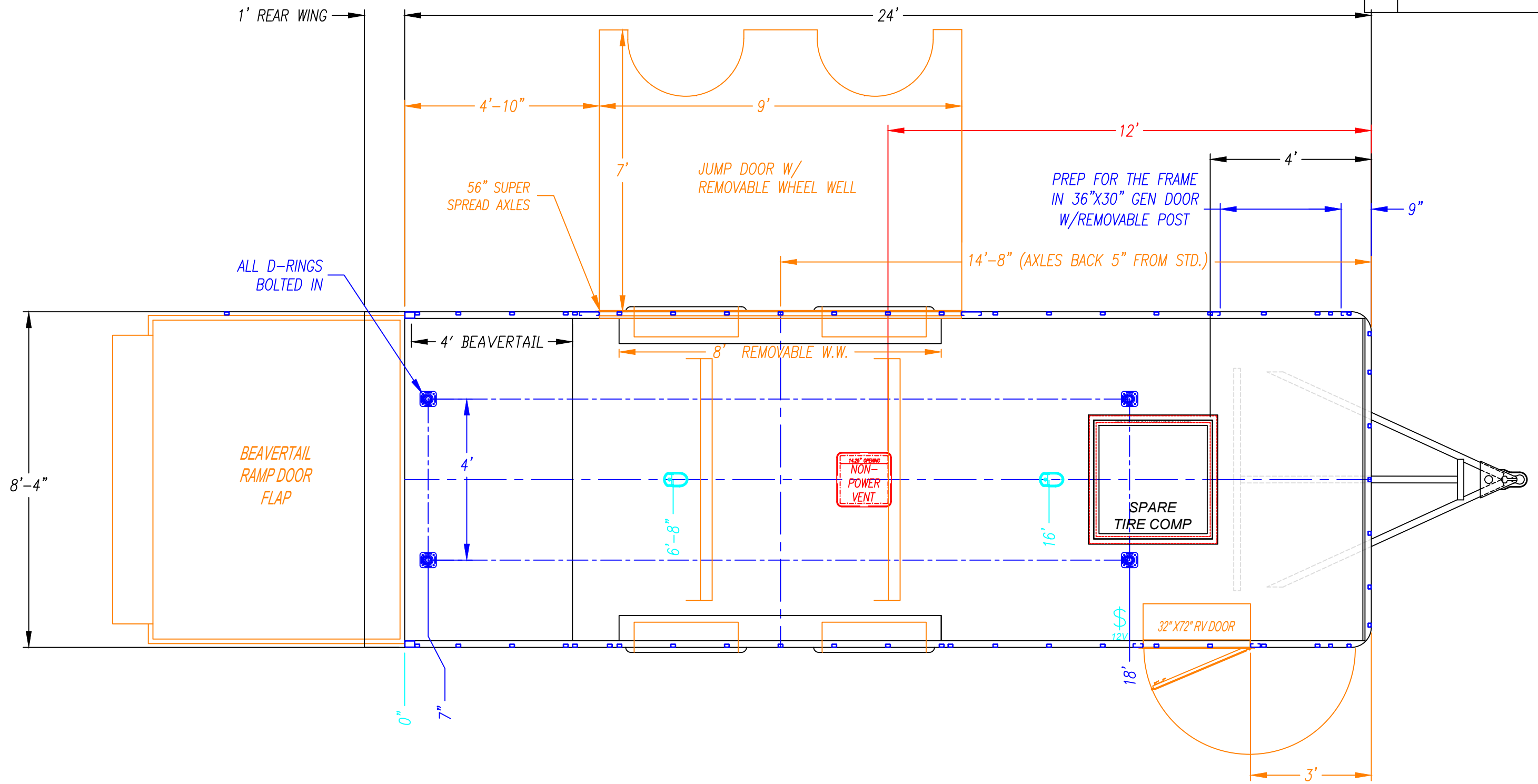
DEALER APPROVAL: _____ DATE: _____



DEALER - CLASSIC		ORDER NO.	
DRAWN BY - AC	CUSTOMER - UNITED TRAILERS	WIDTH - 8.5'	TITLE - FLOOR LAYOUT
DATE - 06/17/24	SHEET NO. - 1 OF 1	HEADROOM - 7'	SCALE - 3/8" = 1'
MODEL - CLA-8.524TA		SERIAL NO.	

NOTES:
- BOX OF SIDEWALLS

REVISIONS		
REV	DESCRIPTION	DATE



12V Dome Light	STEREO	110V Switch	Motorbase Plug	E-Track
12V Switch	3-Way 12V Switch	Interior Recept	Electrical Box	Swivel D-Ring
Clearance Lights	Stereo Speaker	3-Way Switch	50 AMP Electrical Box	HD D-Ring
Backup Light	Air Inlet/Outlet	GFI Recept	Electrical Box	Rope Tie

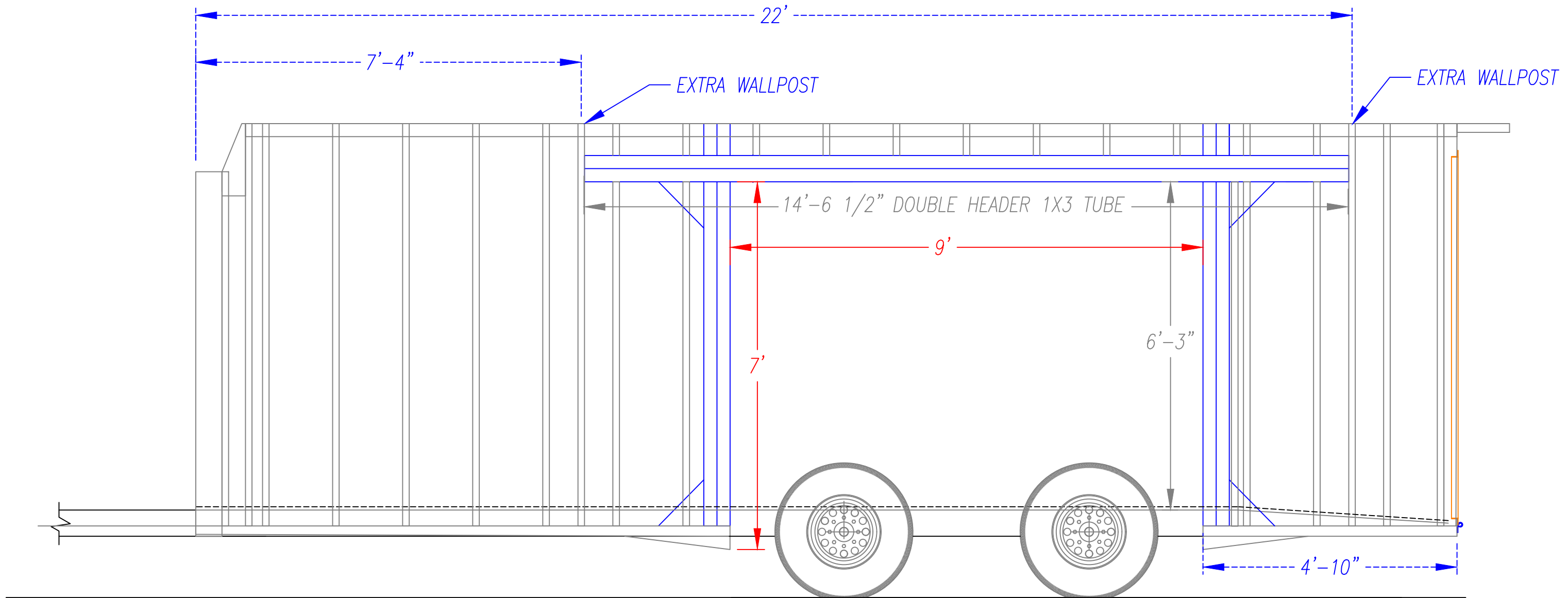
NOTE: DRAWINGS ARE FOR GRAPHICAL REPRESENTATION ONLY. DIMENSIONS ARE APPROXIMATE & MAY VARY DURING CONSTRUCTION.

CUSTOMER APPROVAL: _____ DATE: _____
 DEALER APPROVAL: _____ DATE: _____



DEALER - CLASSIC		ORDER NO.	
DRAWN BY - AC	CUSTOMER - UNITED TRAILERS	WIDTH - 8.5'	TITLE - FLOOR LAYOUT
DATE - 06/17/24	SHEET NO. - 1 OF 1	HEADROOM - 7'	SCALE - 3/8" = 1'
MODEL - CLA-8.524TA		SERIAL NO.	

FRAME SIDE VIEW
JUMP DOOR FOCUSED



12V Dome Light	STEREO	110V Switch	Motorbase Plug	E-Track
12V Switch	3-Way 12V Switch	Interior Recept	Electrical Box	Swivel D-Ring
Clearance Lights	Stereo Speaker	3-Way Switch	150 AMP Electrical Box	HD D-Ring
Backup Light	Air Inlet/Outlet	GFI Recept	100 AMP Electrical Box	Rope Tie

NOTE: DRAWINGS ARE FOR GRAPHICAL REPRESENTATION ONLY. DIMENSIONS ARE APPROXIMATE & MAY VARY DURING CONSTRUCTION.

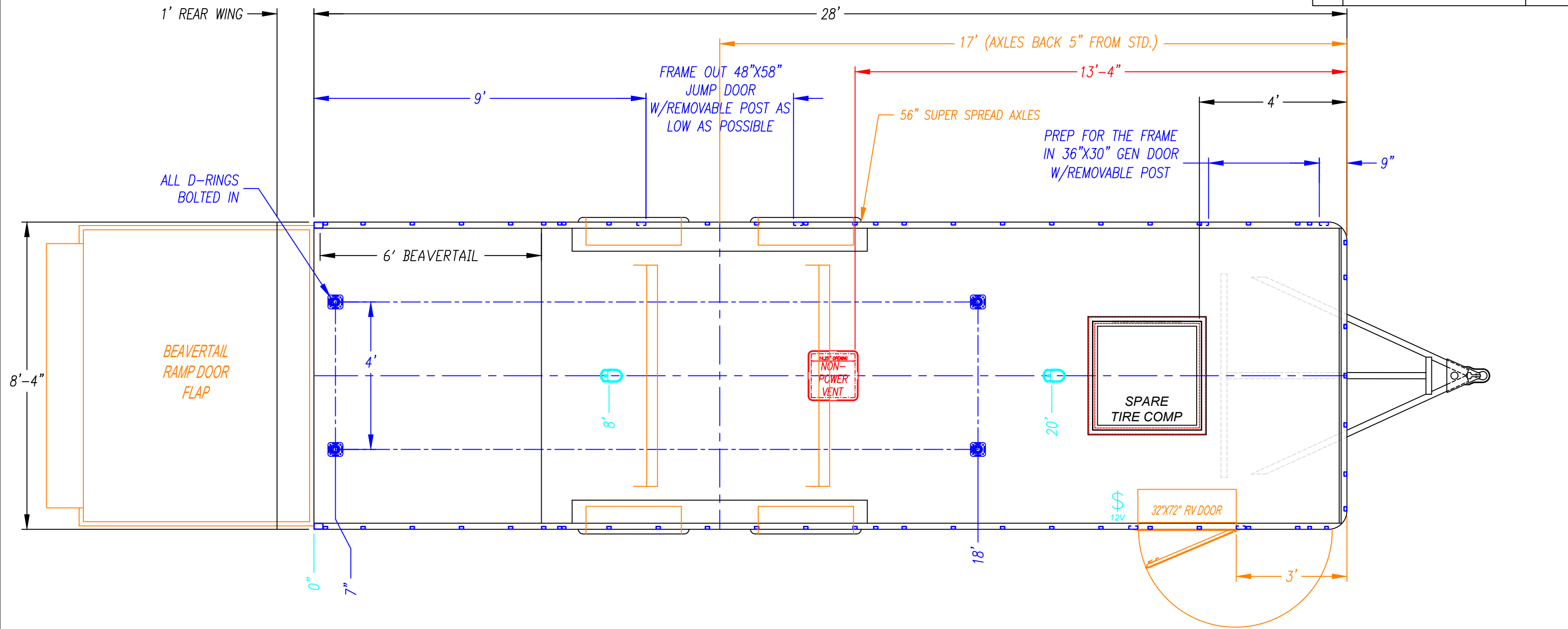
CUSTOMER APPROVAL:	DATE:
DEALER APPROVAL:	DATE:



DEALER -	CLASSIC		ORDER NO.
DRAWN BY - AC	CUSTOMER - UNITED TRAILERS	WIDTH - 8.5'	TITLE - RS FRAME
DATE - 06/17/24	SHEET NO. - 2 OF 1	HEADROOM - 7'	SCALE (11X17) - 3/8" = 1'
MODEL -	CLA-8.524TA		SERIAL NO.

NOTES:
- BOX OF SIDEWALLS

REVISIONS		
REV	DESCRIPTION	DATE



12V Dome Light	STEREO	110V Switch	Motorbase Plug	E-Track
12V Switch	3-Way 12V Switch	Interior Recept	Electrical Box	Swivel D-Ring
Clearance Lights	Stereo Speaker	3-Way Switch	50 AMP Electrical Box	HD D-Ring
Backup Light	Air Inlet/Outlet	GFI Recept	100 AMP Electrical Box	Rope Tie

NOTE: DRAWINGS ARE FOR GRAPHICAL REPRESENTATION ONLY. DIMENSIONS ARE APPROXIMATE & MAY VARY DURING CONSTRUCTION.

CUSTOMER APPROVAL:

DATE:

DEALER APPROVAL:

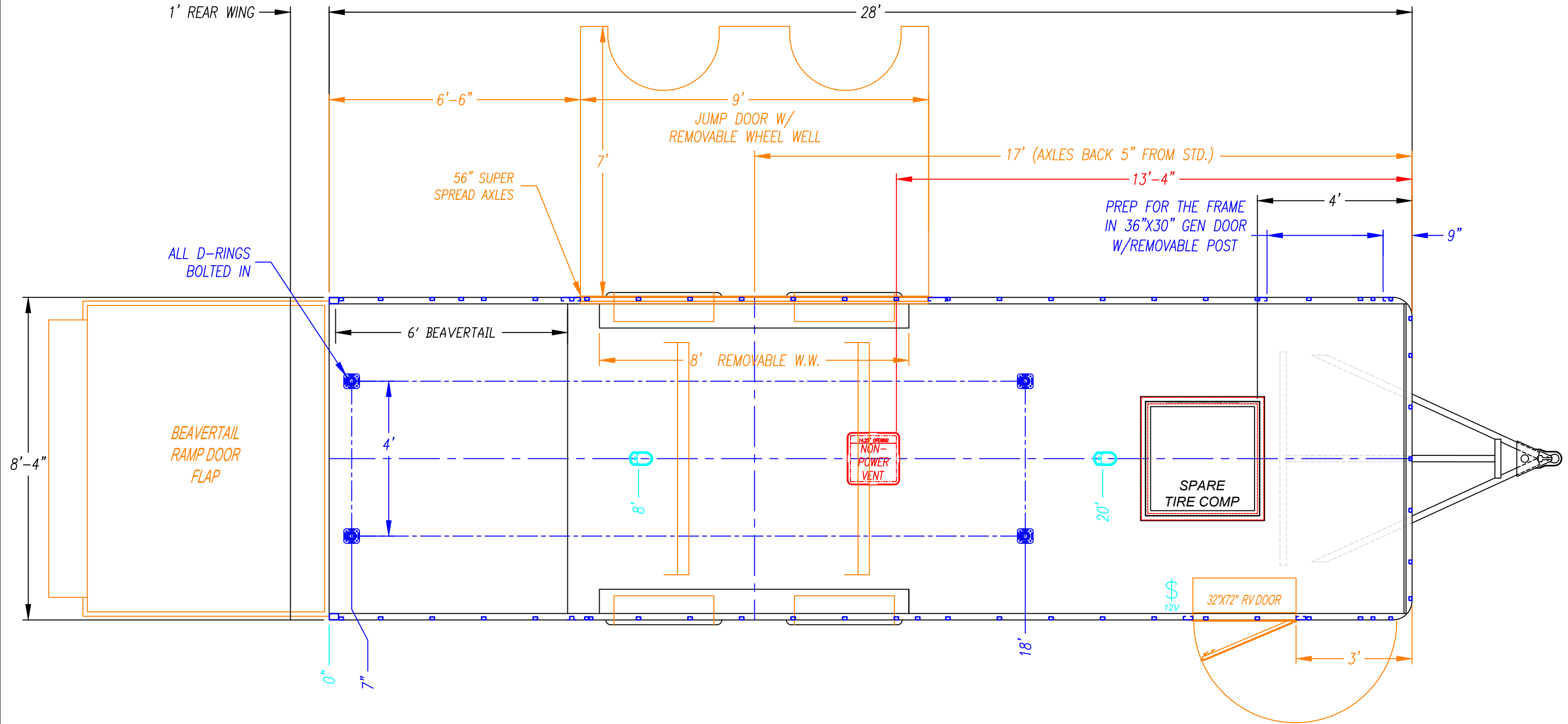
DATE:



DEALER - CLASSIC		ORDER NO.	
DRAWN BY - AC	CUSTOMER - UNITED TRAILERS	WIDTH - 8.5'	TITLE - FLOOR LAYOUT
DATE - 06/17/24	SHEET NO. - 1 OF 1	HEADROOM - 7'	SCALE - 3/8" = 1'
MODEL - CLA-8.528TA		SERIAL NO.	

NOTES:
- BOX OF SIDEWALLS

REVISIONS		
REV	DESCRIPTION	DATE



12V Dome Light	STEREO	110V Switch	Motorbase Plug	E-Track
12V Switch	3-Way 12V Switch	Interior Recept	Electrical Box	Swivel D-Ring
Clearance Lights	Stereo Speaker	3-Way Switch	50 AMP Electrical Box	HD D-Ring
Backup Light	Air Inlet/Outlet	GFI Recept	Electrical Box	Rope Tie

NOTE: DRAWINGS ARE FOR GRAPHICAL REPRESENTATION ONLY. DIMENSIONS ARE APPROXIMATE & MAY VARY DURING CONSTRUCTION.

CUSTOMER APPROVAL:

DATE:

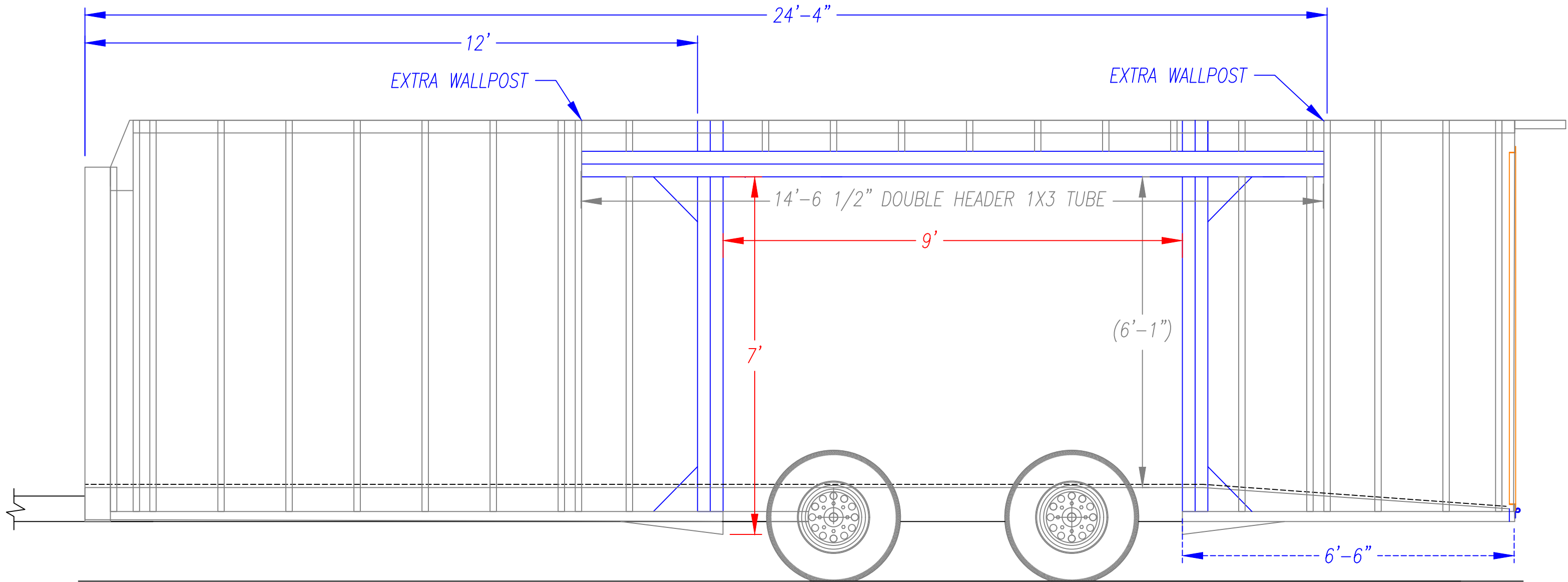
DEALER APPROVAL:

DATE:



DEALER - CLASSIC		ORDER NO.	
DRAWN BY - AC	CUSTOMER - UNITED TRAILERS	WIDTH - 8.5'	TITLE - FLOOR LAYOUT
DATE - 06/17/24	SHEET NO. - 1 OF 2	HEADROOM - 7'	SCALE - 3/8" = 1'
MODEL - CLA-8.528TA		SERIAL NO.	

FRAME SIDE VIEW
JUMP DOOR FOCUSED



12V Dome Light	12V Switch	110V Switch	Motorbase Plug	E-Track
Clearance Lights	3-Way 12V Switch	Interior Recept	Electrical Box	Swivel D-Ring
Backup Light	Stereo Speaker	3-Way Switch	150 AMP Electrical Box	HD D-Ring
Air Inlet/Outlet		GFI Recept	100 AMP Electrical Box	Rope Tie

NOTE: DRAWINGS ARE FOR GRAPHICAL REPRESENTATION ONLY. DIMENSIONS ARE APPROXIMATE & MAY VARY DURING CONSTRUCTION.

CUSTOMER APPROVAL: _____ DATE: _____

DEALER APPROVAL: _____ DATE: _____



DEALER - CLASSIC		ORDER NO.	
DRAWN BY - AC	CUSTOMER - UNITED TRAILERS	WIDTH - 8.5'	TITLE - RS FRAME
DATE - 06/17/24	SHEET NO. - 2 OF 2	HEADROOM - 7'	SCALE - 3/8" = 1'
MODEL - CLA-8.528TA		SERIAL NO.	