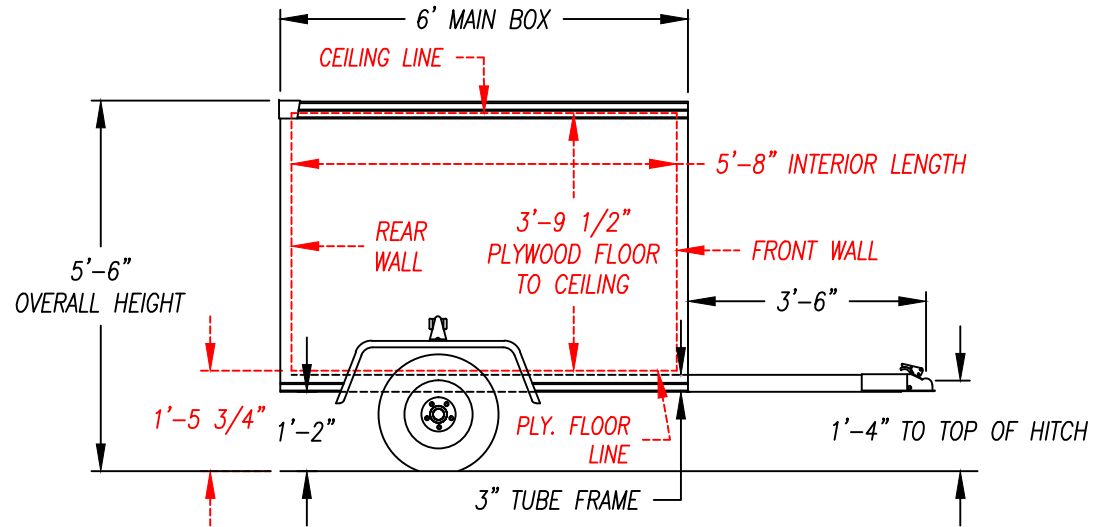
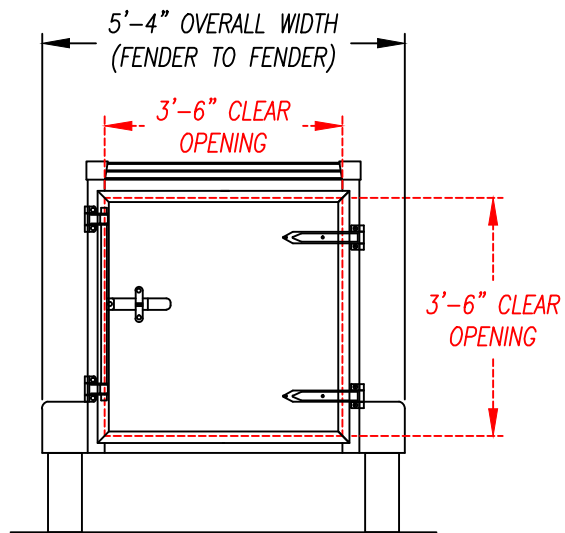


NOTE: ALL DIMENSIONS ARE
NOMINAL & SUBJECT TO CHANGE

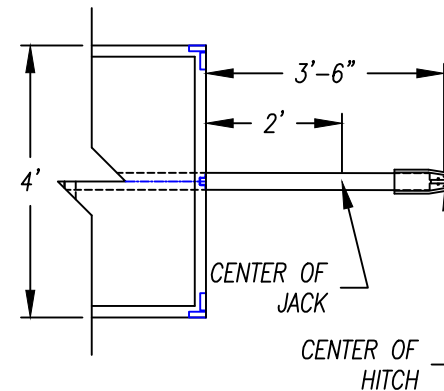
SIDE VIEW



NOTE: ALL DIMENSIONS FROM
GROUND ARE APPROX. & BASED
ON 145/80 12" TIRES & RIMS



REAR VIEW



TOP VIEW -
HITCH AREA



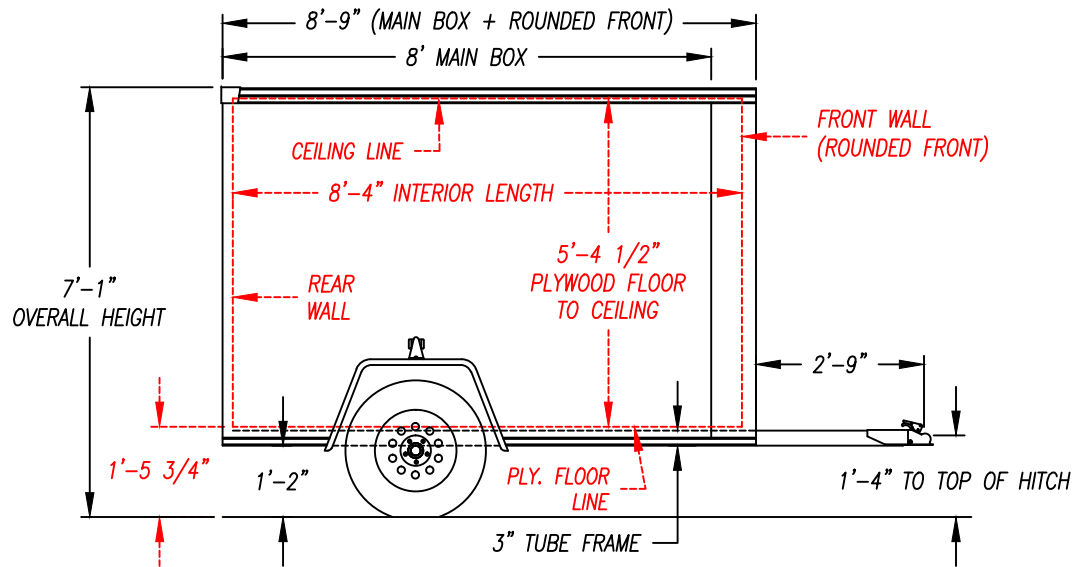
DESCRIPTION -
XLE-46SA

DRAWN BY - JAH DATE - 5/13/19

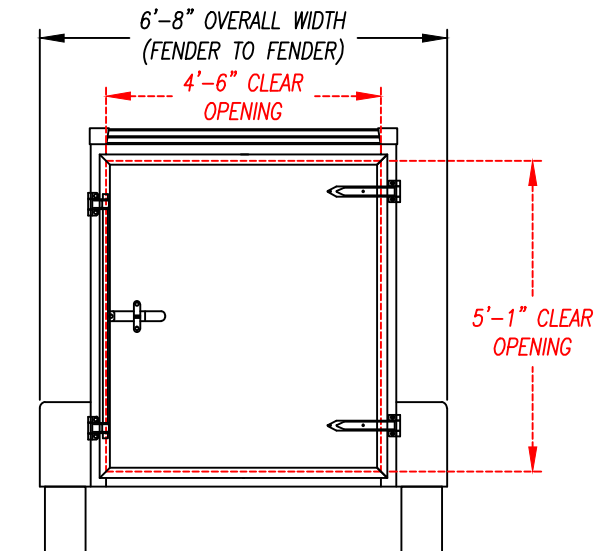
THIS DOCUMENT AND THE CONCEPTS INCORPORATED IS THE PROPERTY OF UNITED TRAILERS INC. AND IS NOT TO BE USED IN WHOLE OR IN PART FOR ANY OTHER PROJECT WITHOUT WRITTEN PERMISSION OF UNITED TRAILERS INC.

NOTE: ALL DIMENSIONS ARE NOMINAL & SUBJECT TO CHANGE

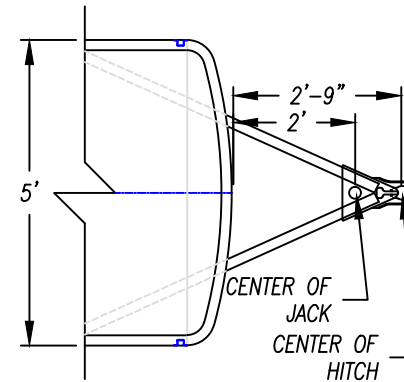
SIDE VIEW



NOTE: ALL DIMENSIONS FROM GROUND ARE APPROX. & BASED ON 205/75 15" TIRES & RIMS



REAR VIEW



TOP VIEW - HITCH AREA



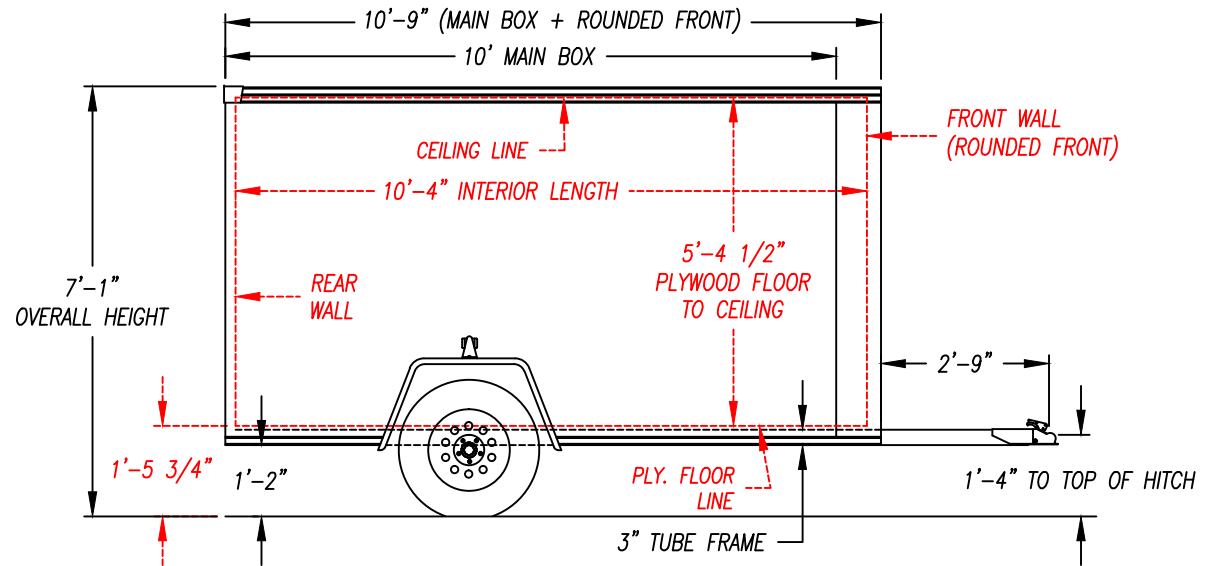
DESCRIPTION - XLE-58SA

DRAWN BY - JAH DATE - 5/13/19

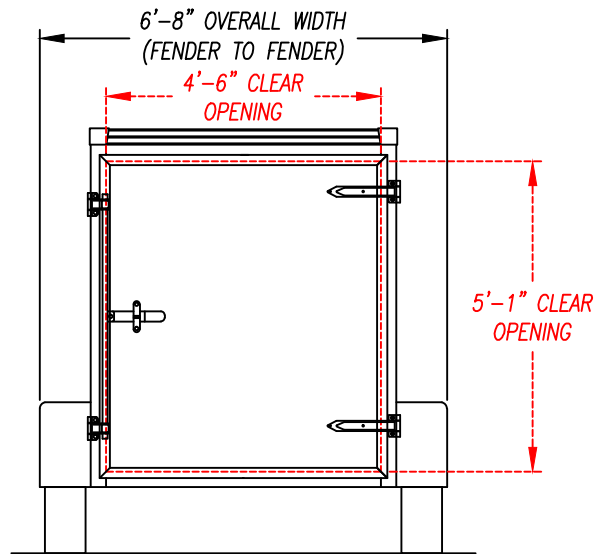
THIS DOCUMENT AND THE CONCEPTS INCORPORATED IS THE PROPERTY OF UNITED TRAILERS INC. AND IS NOT TO BE USED IN WHOLE OR IN PART FOR ANY OTHER PROJECT WITHOUT WRITTEN PERMISSION OF UNITED TRAILERS INC.

NOTE: ALL DIMENSIONS ARE NOMINAL & SUBJECT TO CHANGE

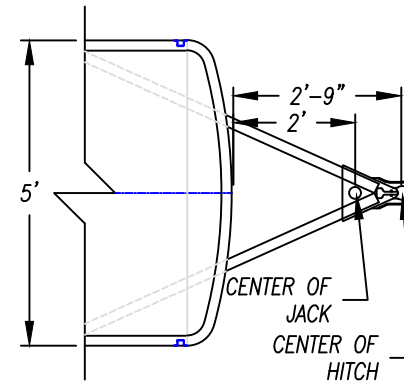
SIDE VIEW



NOTE: ALL DIMENSIONS FROM GROUND ARE APPROX. & BASED ON 205/75 15" TIRES & RIMS



REAR VIEW



TOP VIEW - HITCH AREA

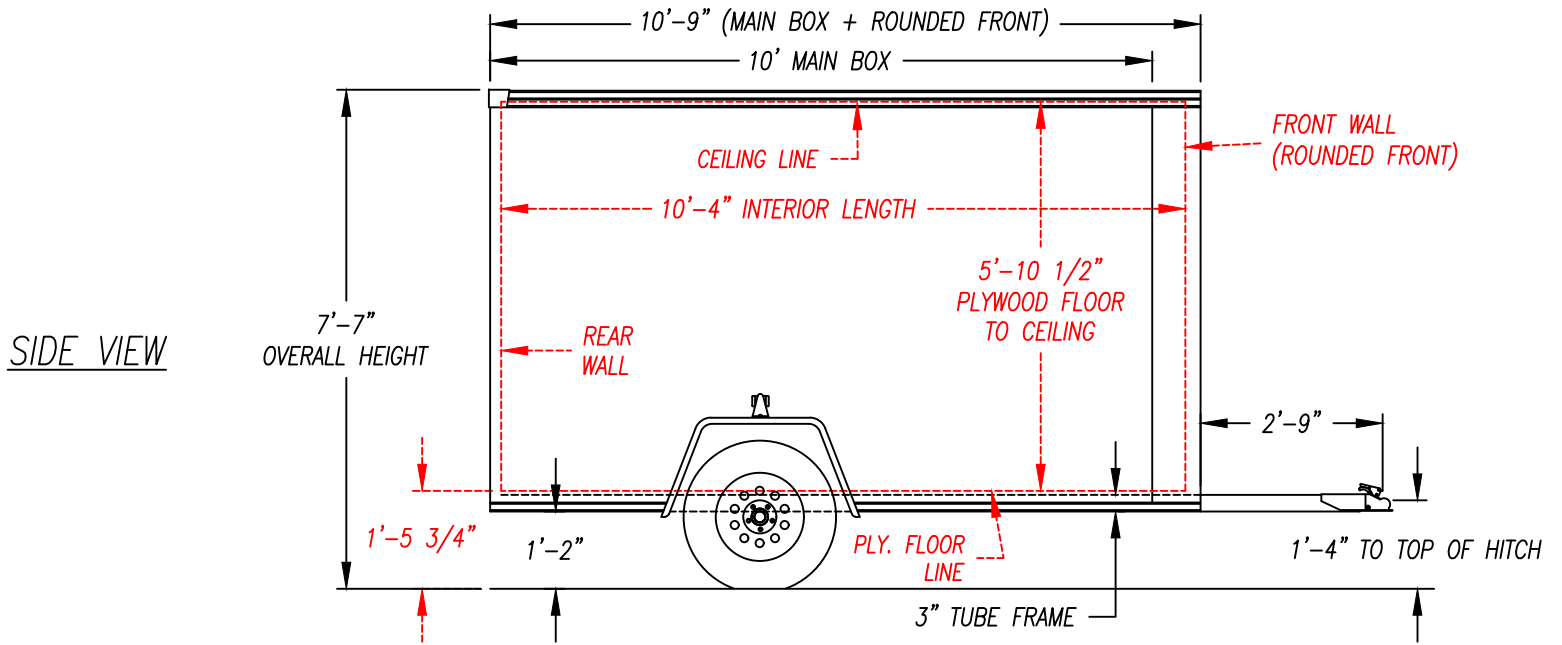


DESCRIPTION - XLE-510SA

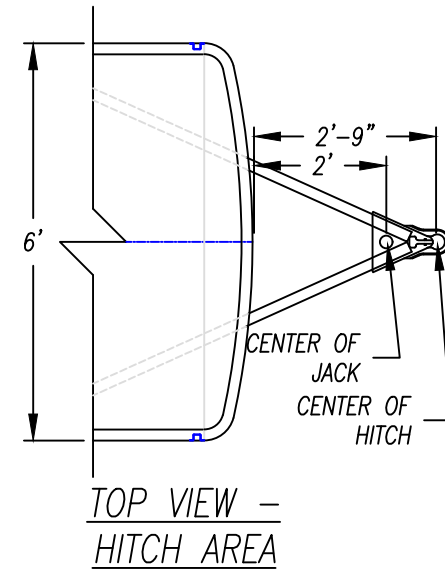
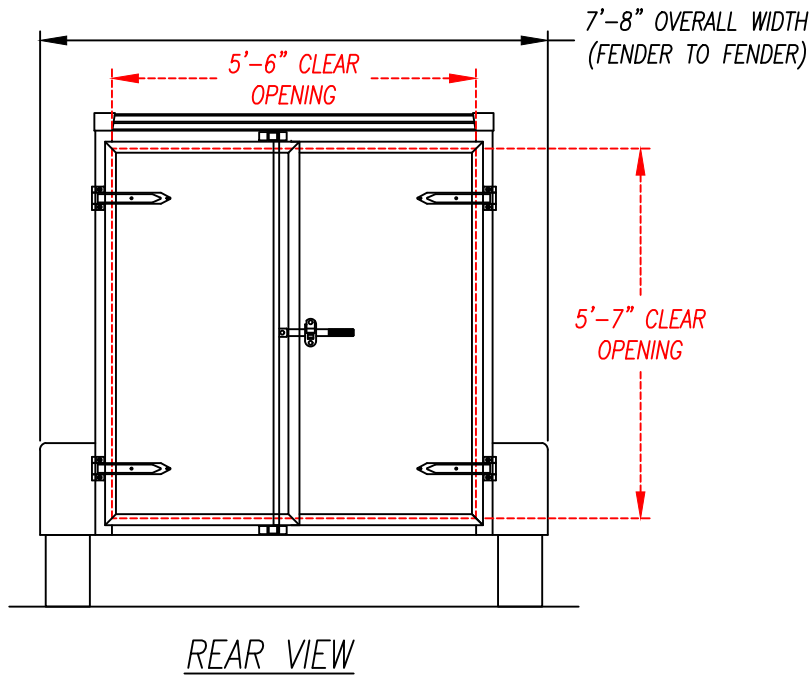
DRAWN BY - JAH DATE - 5/13/19

THIS DOCUMENT AND THE CONCEPTS INCORPORATED IS THE PROPERTY OF UNITED TRAILERS INC. AND IS NOT TO BE USED IN WHOLE OR IN PART FOR ANY OTHER PROJECT WITHOUT WRITTEN PERMISSION OF UNITED TRAILERS INC.

NOTE: ALL DIMENSIONS ARE
NOMINAL & SUBJECT TO CHANGE



NOTE: ALL DIMENSIONS FROM
GROUND ARE APPROX. & BASED
ON 205/75 15" TIRES & RIMS



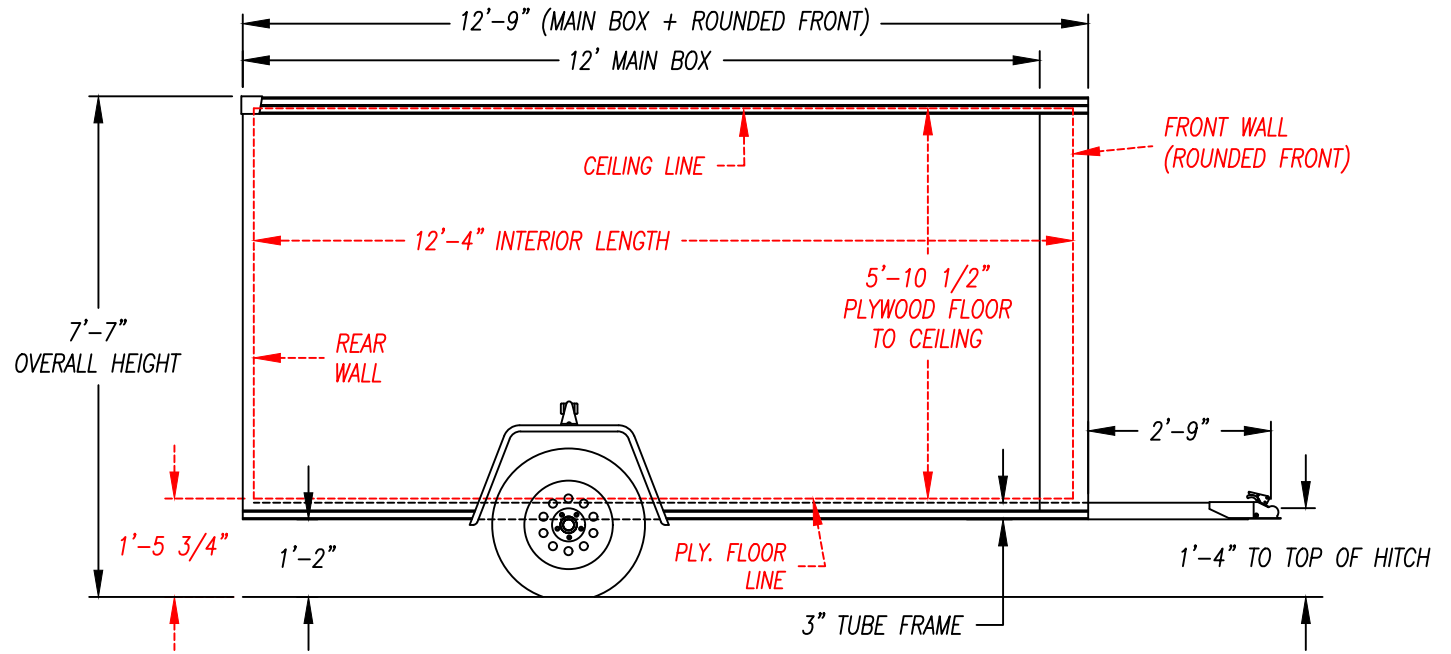
DESCRIPTION - XLE-610SA

DRAWN BY - JAH DATE - 5/13/19

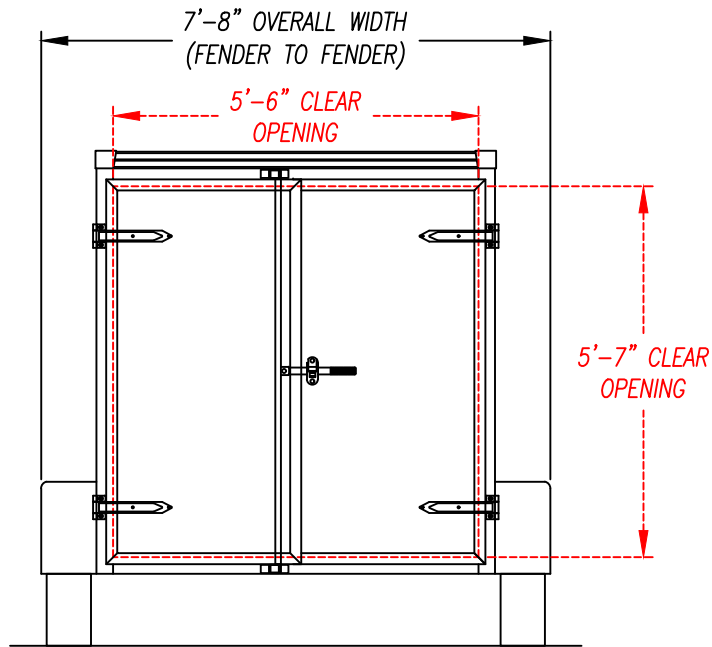
THIS DOCUMENT AND THE CONCEPTS INCORPORATED IS THE PROPERTY OF UNITED TRAILERS INC. AND IS NOT TO BE USED IN WHOLE OR IN PART FOR ANY OTHER PROJECT WITHOUT WRITTEN PERMISSION OF UNITED TRAILERS INC.

NOTE: ALL DIMENSIONS ARE
NOMINAL & SUBJECT TO CHANGE

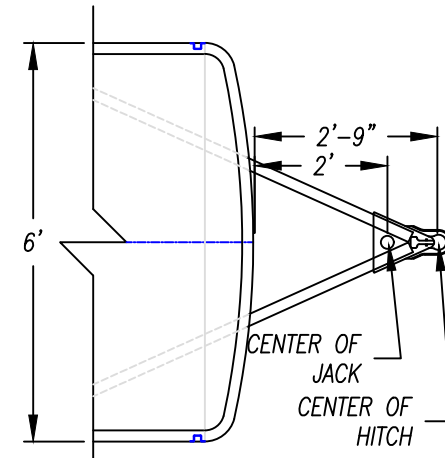
SIDE VIEW



NOTE: ALL DIMENSIONS FROM
GROUND ARE APPROX. & BASED
ON 205/75 15" TIRES & RIMS



REAR VIEW



TOP VIEW -
HITCH AREA



DESCRIPTION - XLE-612SA

DRAWN BY - JAH DATE - 5/13/19

THIS DOCUMENT AND THE CONCEPTS INCORPORATED IS THE PROPERTY OF UNITED TRAILERS INC. AND IS NOT TO BE USED IN WHOLE OR IN PART FOR ANY OTHER PROJECT WITHOUT WRITTEN PERMISSION OF UNITED TRAILERS INC.