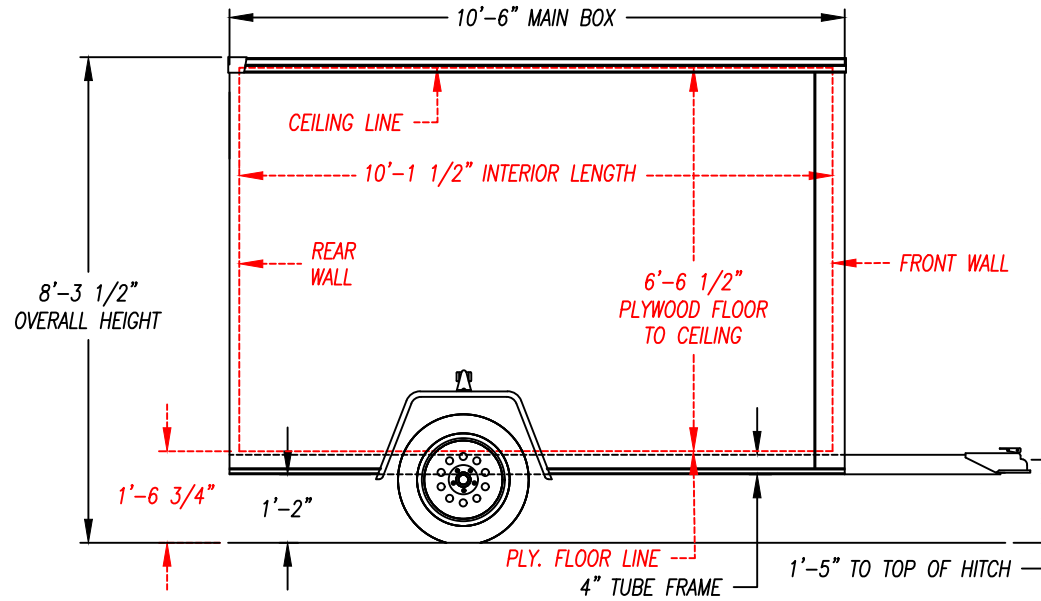


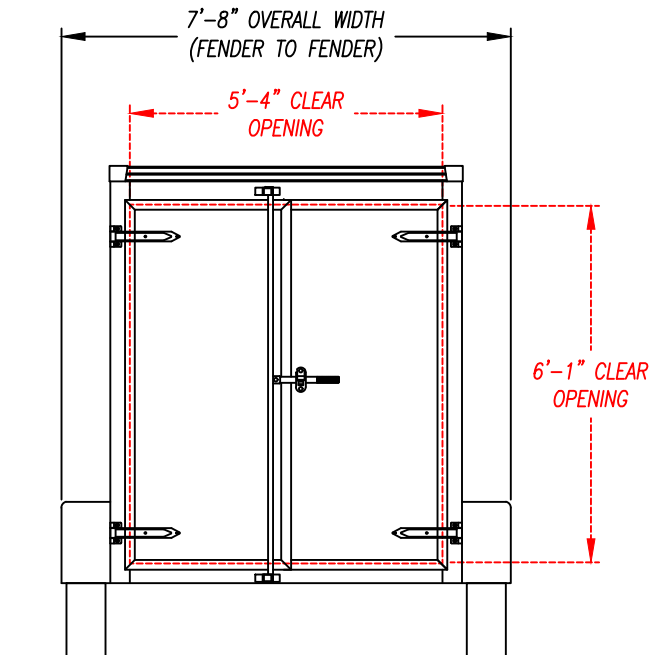
NOTE: ALL DIMENSIONS ARE
NOMINAL & SUBJECT TO CHANGE

SIDE VIEW

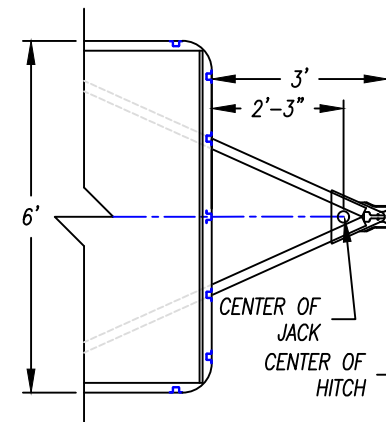


NOTE: ALL DIMENSIONS FROM
GROUND ARE APPROX. & BASED
ON 225/75 15" TIRES & RIMS

REAR VIEW



TOP VIEW -
HITCH AREA



DESCRIPTION -
UXT-610SA

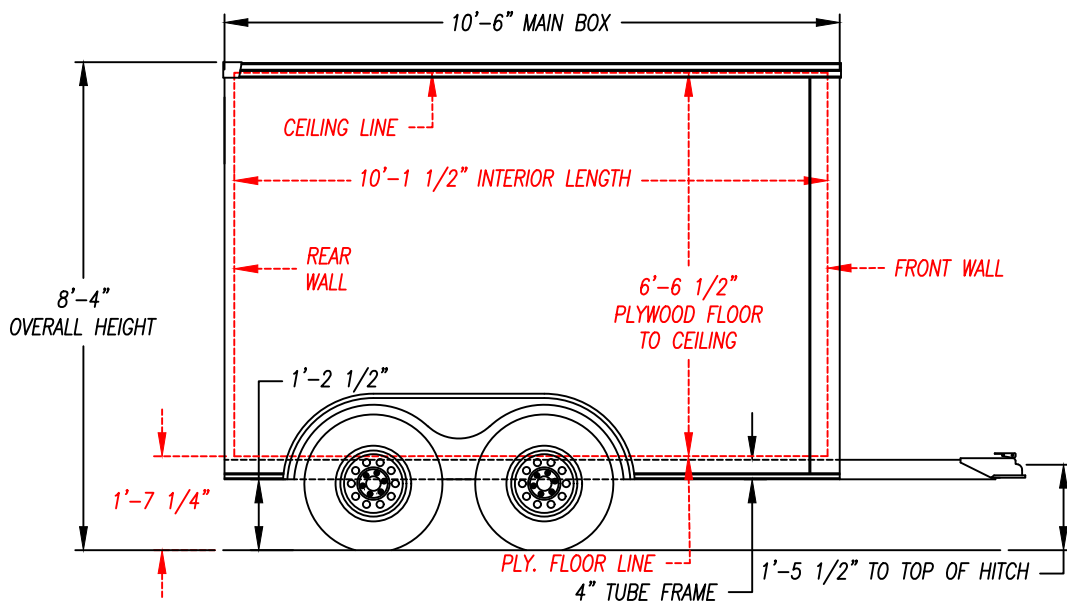
DRAWN BY - JAH

DATE - 7/10/19

THIS DOCUMENT AND THE CONCEPTS INCORPORATED IS THE PROPERTY OF UNITED TRAILERS INC. AND IS NOT TO BE USED IN WHOLE OR IN PART FOR ANY OTHER PROJECT WITHOUT WRITTEN PERMISSION OF UNITED TRAILERS INC.

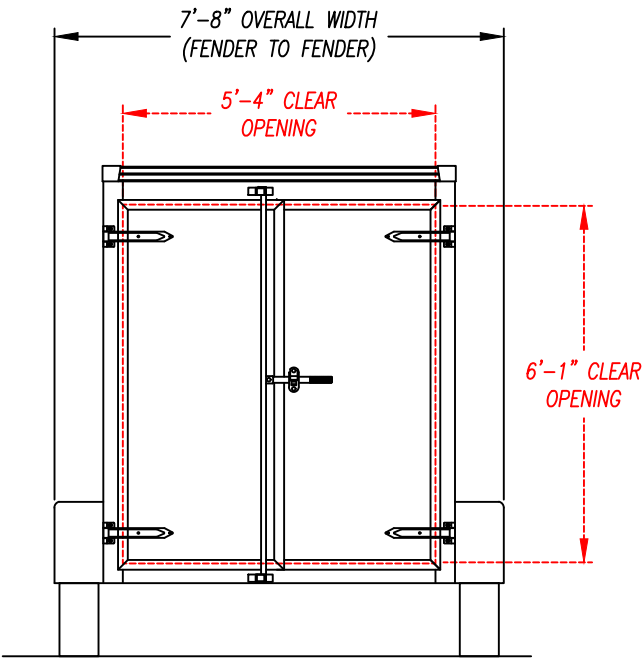
NOTE: ALL DIMENSIONS ARE NOMINAL & SUBJECT TO CHANGE

SIDE VIEW

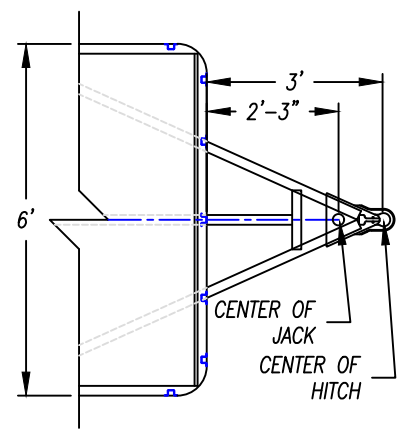


NOTE: ALL DIMENSIONS FROM GROUND ARE APPROX. & BASED ON 225/75 15" TIRES & RIMS

REAR VIEW



TOP VIEW - HITCH AREA



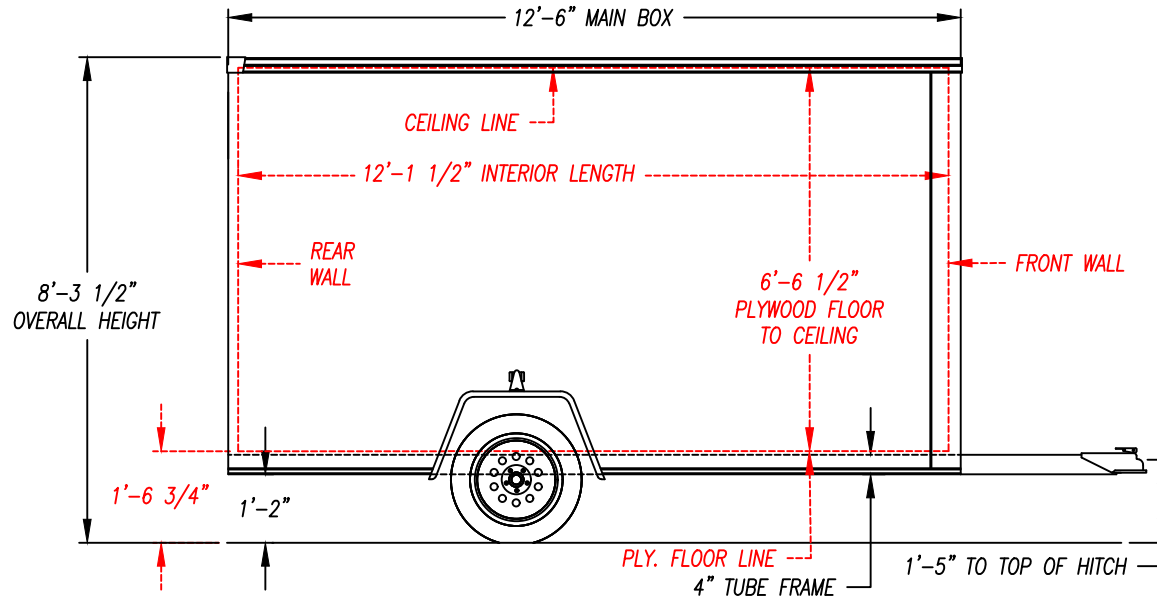
DESCRIPTION - **UXT-610TA**

DRAWN BY - JAH DATE - 7/10/19

THIS DOCUMENT AND THE CONCEPTS INCORPORATED IS THE PROPERTY OF UNITED TRAILERS INC. AND IS NOT TO BE USED IN WHOLE OR IN PART FOR ANY OTHER PROJECT WITHOUT WRITTEN PERMISSION OF UNITED TRAILERS INC.

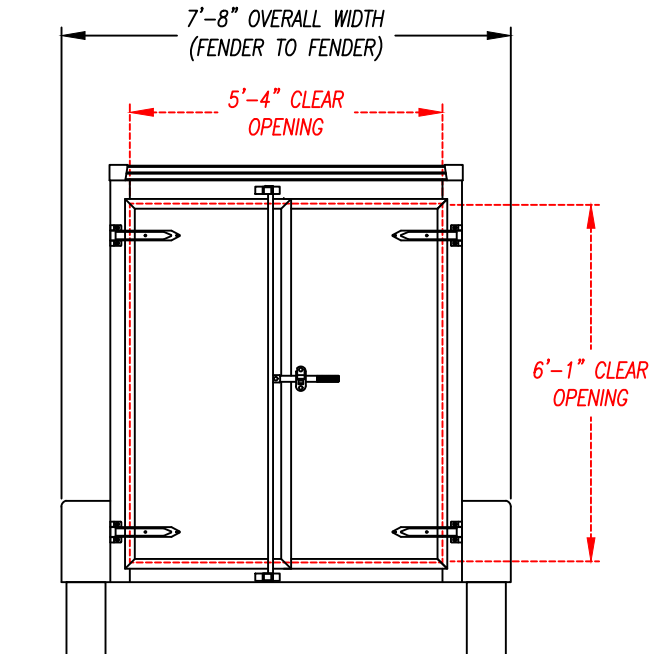
NOTE: ALL DIMENSIONS ARE
NOMINAL & SUBJECT TO CHANGE

SIDE VIEW

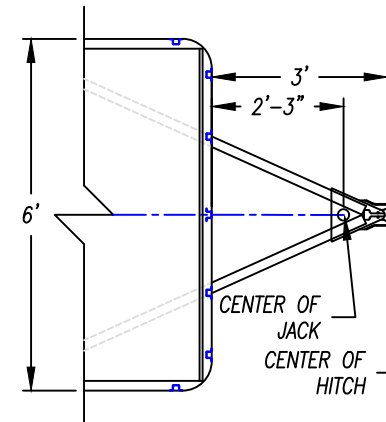


NOTE: ALL DIMENSIONS FROM
GROUND ARE APPROX. & BASED
ON 205/75 15" TIRES & RIMS

REAR VIEW



TOP VIEW - HITCH AREA



DESCRIPTION - UXT-612SA

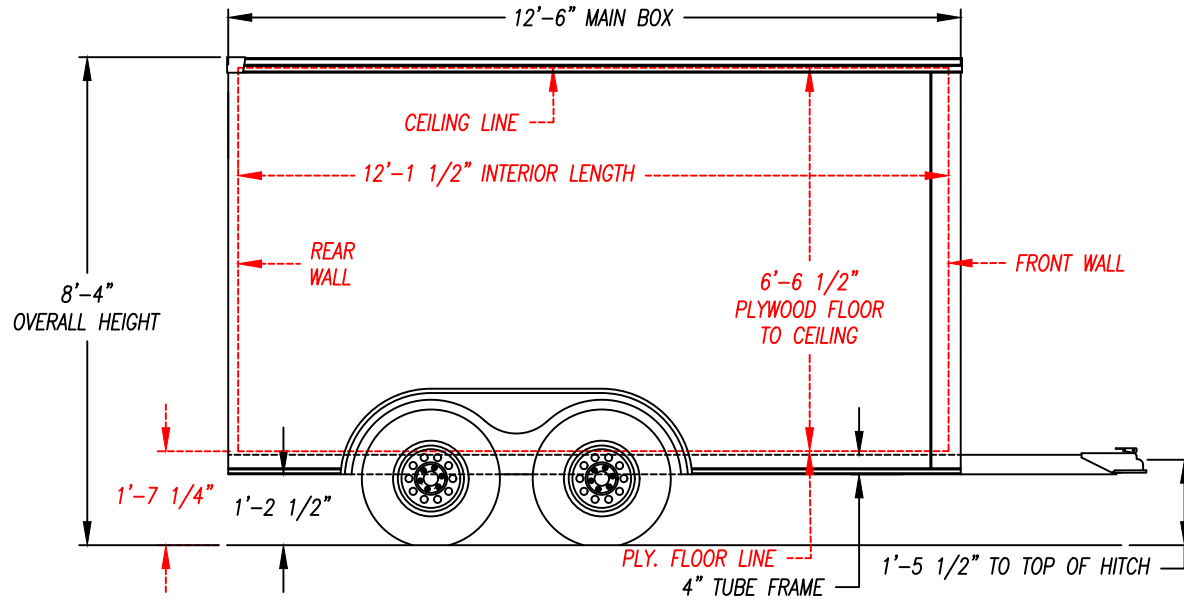
DRAWN BY - JAH

DATE - 7/10/19

THIS DOCUMENT AND THE CONCEPTS INCORPORATED IS THE PROPERTY OF UNITED TRAILERS INC. AND IS NOT TO BE USED IN WHOLE OR IN PART FOR ANY OTHER PROJECT WITHOUT WRITTEN PERMISSION OF UNITED TRAILERS INC.

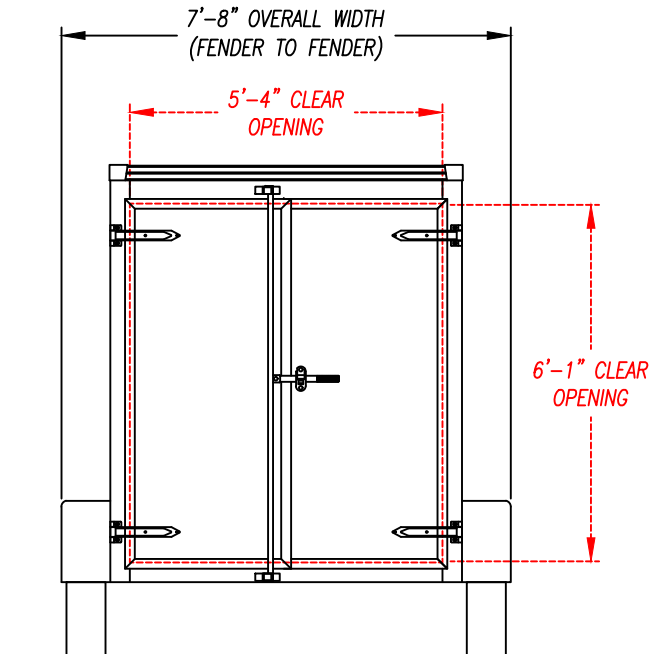
NOTE: ALL DIMENSIONS ARE
NOMINAL & SUBJECT TO CHANGE

SIDE VIEW

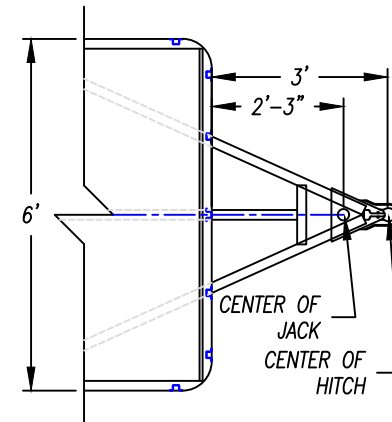


NOTE: ALL DIMENSIONS FROM
GROUND ARE APPROX. & BASED
ON 225/75 15" TIRES & RIMS

REAR VIEW



TOP VIEW -
HITCH AREA



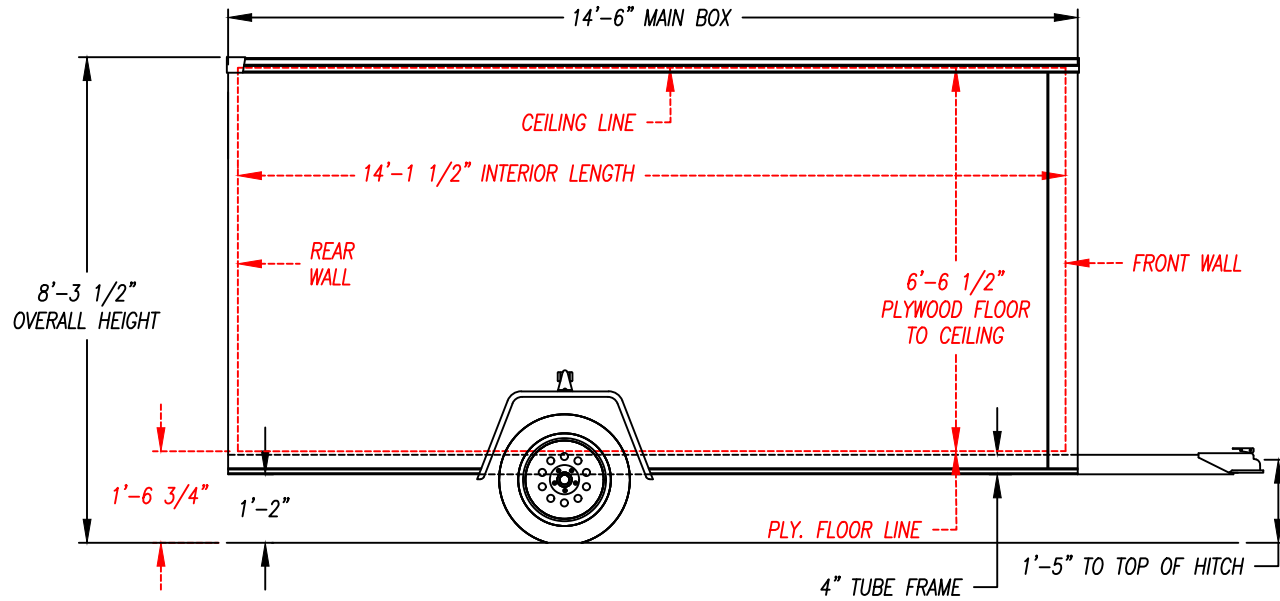
DESCRIPTION -
UXT-612TA

DRAWN BY - JAH DATE - 7/10/19

THIS DOCUMENT AND THE CONCEPTS INCORPORATED IS THE PROPERTY OF UNITED TRAILERS INC. AND IS NOT TO BE USED IN WHOLE OR IN PART FOR ANY OTHER PROJECT WITHOUT WRITTEN PERMISSION OF UNITED TRAILERS INC.

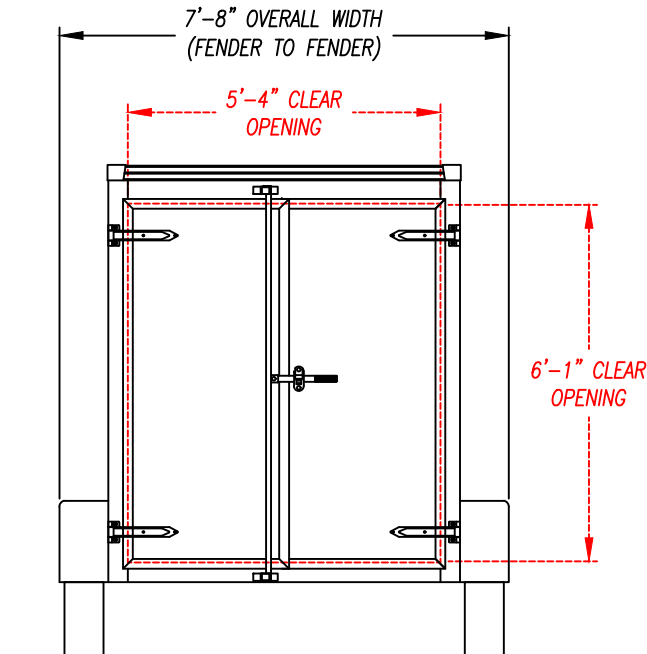
NOTE: ALL DIMENSIONS ARE
NOMINAL & SUBJECT TO CHANGE

SIDE VIEW

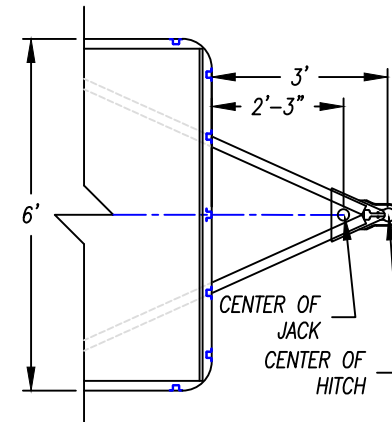


NOTE: ALL DIMENSIONS FROM
GROUND ARE APPROX. & BASED
ON 205/75 15" TIRES & RIMS

REAR VIEW



TOP VIEW -
HITCH AREA



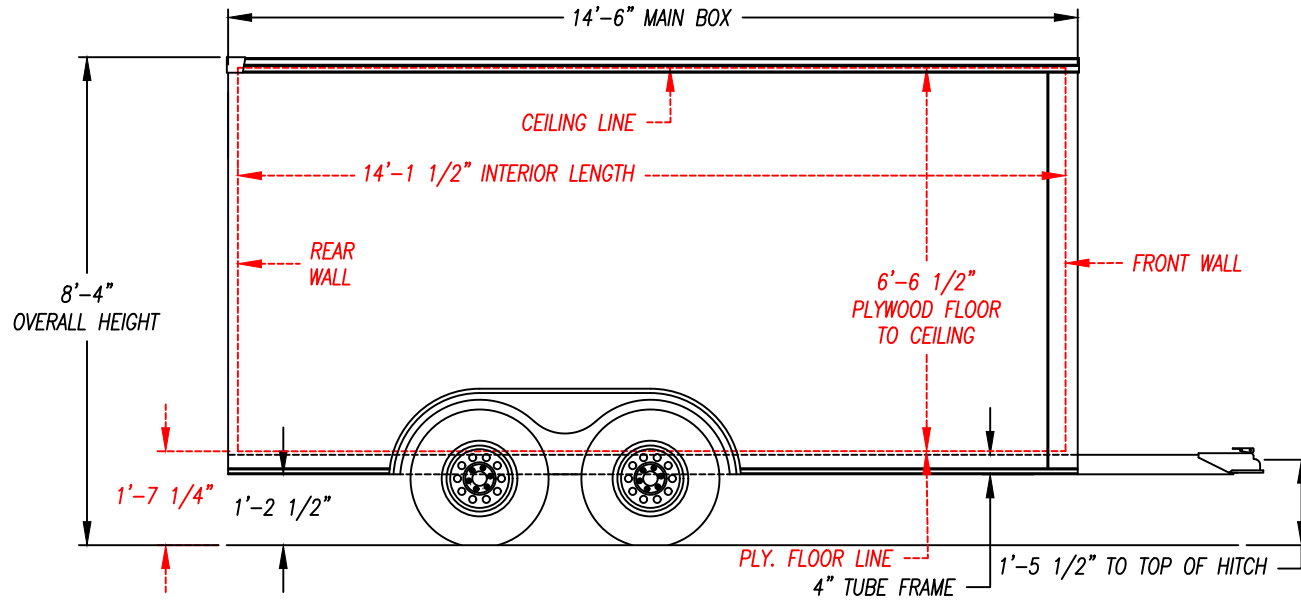
DESCRIPTION -
UXT-614SA

DRAWN BY - JAH DATE - 7/10/19

THIS DOCUMENT AND THE CONCEPTS INCORPORATED IS THE PROPERTY OF UNITED TRAILERS INC. AND IS NOT TO BE USED IN WHOLE OR IN PART FOR ANY OTHER PROJECT WITHOUT WRITTEN PERMISSION OF UNITED TRAILERS INC.

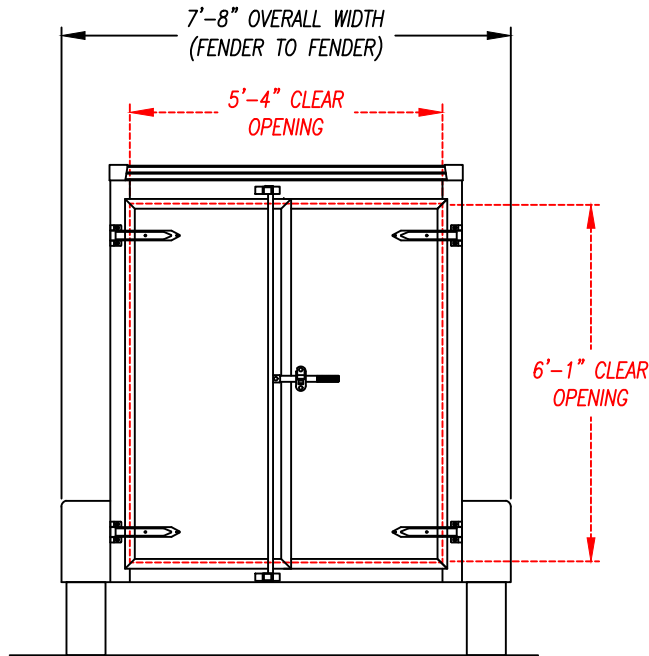
NOTE: ALL DIMENSIONS ARE
NOMINAL & SUBJECT TO CHANGE

SIDE VIEW

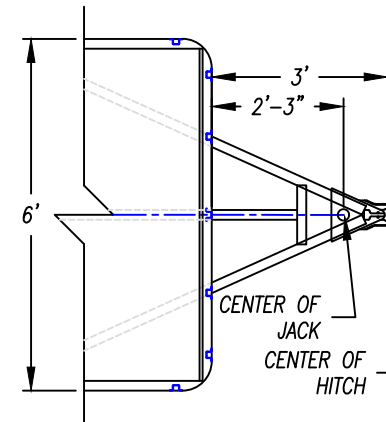


NOTE: ALL DIMENSIONS FROM
GROUND ARE APPROX. & BASED
ON 225/75 15" TIRES & RIMS

REAR VIEW



TOP VIEW -
HITCH AREA



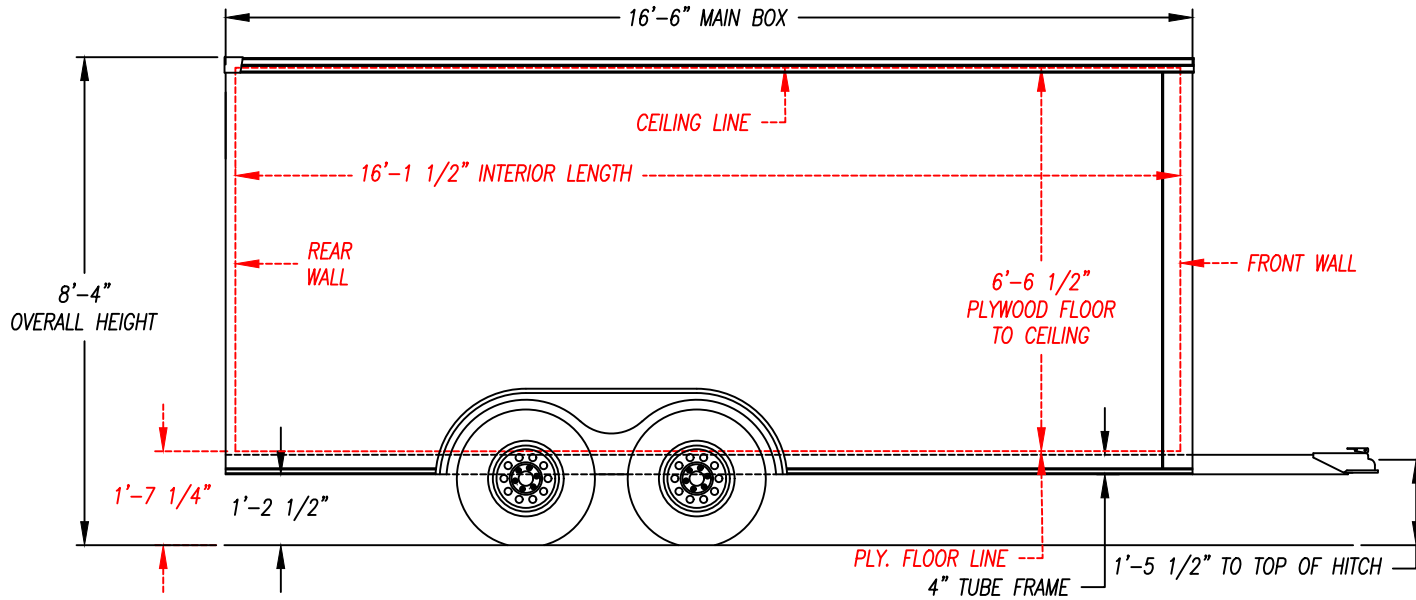
DESCRIPTION -
UXT-614TA

DRAWN BY - JAH DATE - 7/10/19

THIS DOCUMENT AND THE CONCEPTS INCORPORATED IS THE PROPERTY OF UNITED TRAILERS INC. AND IS NOT TO BE USED IN WHOLE OR IN PART FOR ANY OTHER PROJECT WITHOUT WRITTEN PERMISSION OF UNITED TRAILERS INC.

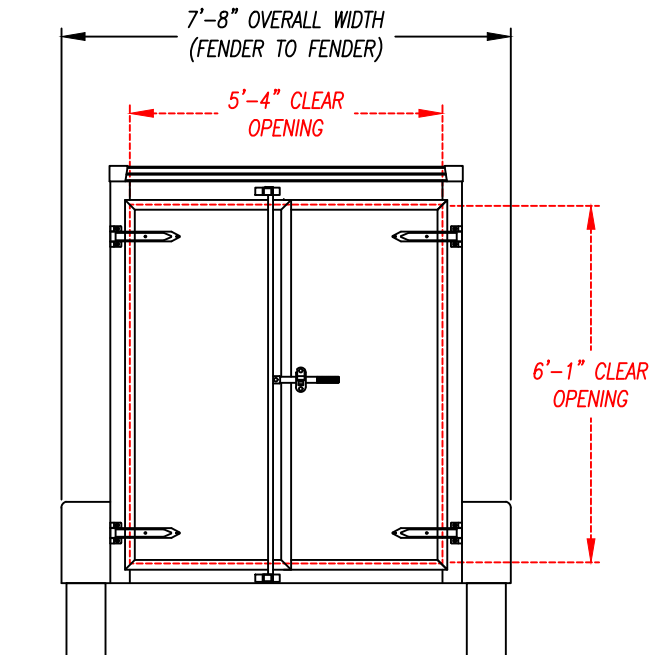
NOTE: ALL DIMENSIONS ARE
NOMINAL & SUBJECT TO CHANGE

SIDE VIEW

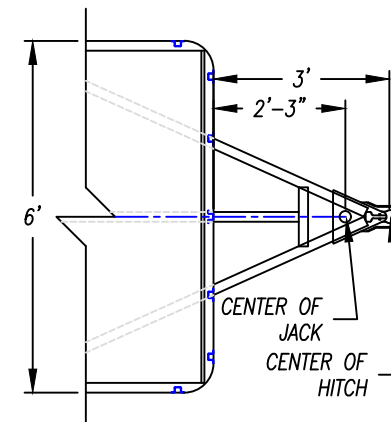


NOTE: ALL DIMENSIONS FROM
GROUND ARE APPROX. & BASED
ON 225/75 15" TIRES & RIMS

REAR VIEW



TOP VIEW -
HITCH AREA



DESCRIPTION -
UXT-616TA

DRAWN BY - JAH DATE - 7/10/19

THIS DOCUMENT AND THE CONCEPTS INCORPORATED IS THE PROPERTY OF UNITED TRAILERS INC. AND IS NOT TO BE USED IN WHOLE OR IN PART FOR ANY OTHER PROJECT WITHOUT WRITTEN PERMISSION OF UNITED TRAILERS INC.