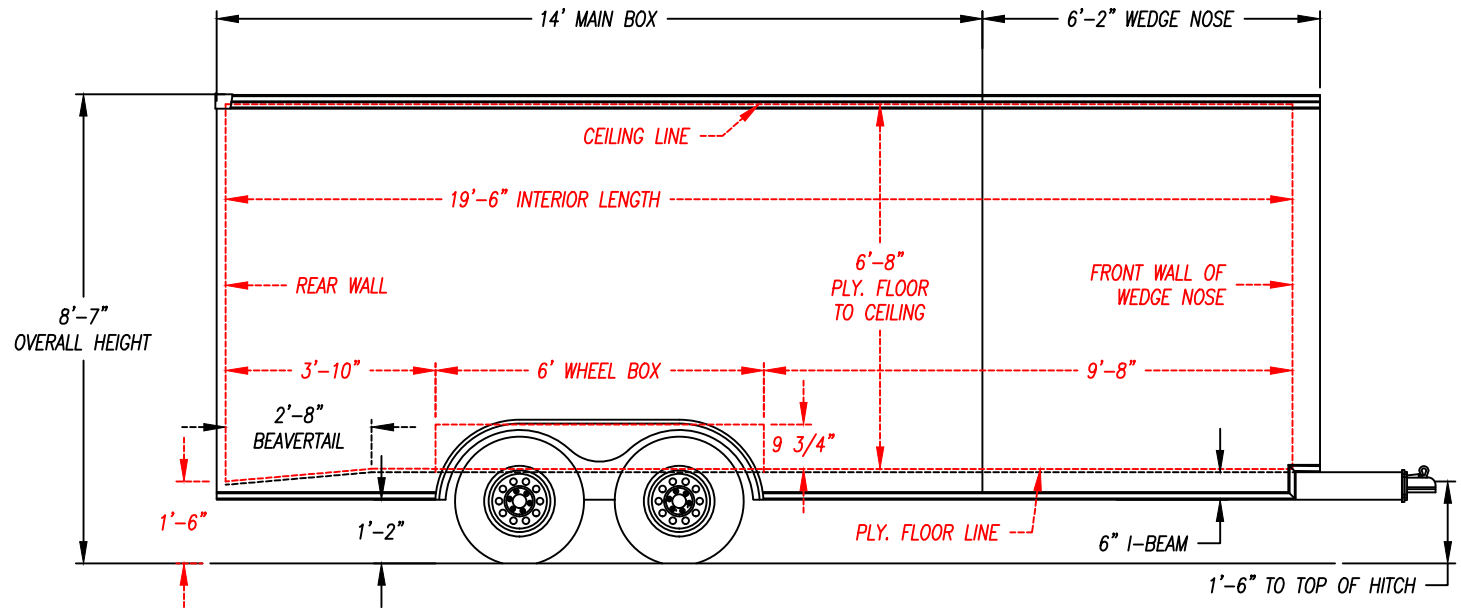


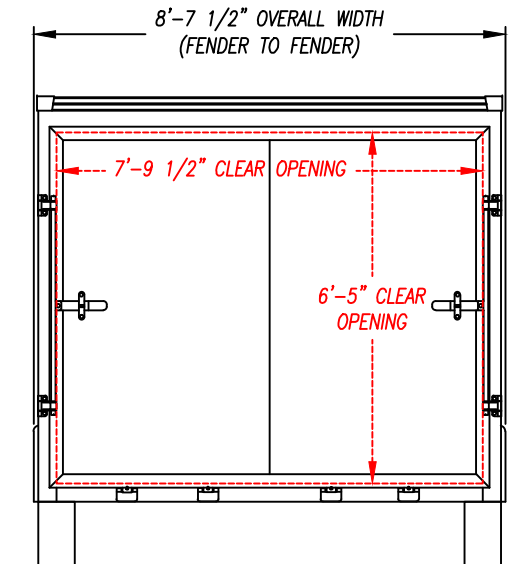
NOTE: ALL DIMENSIONS ARE  
NOMINAL & SUBJECT TO CHANGE

SIDE VIEW

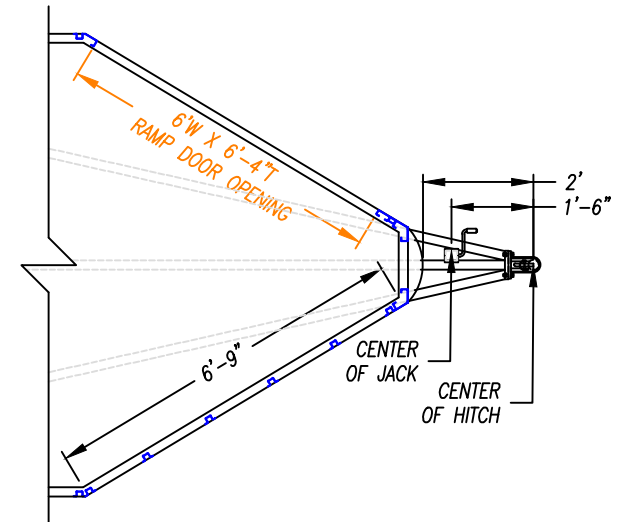


NOTE: ALL DIMENSIONS FROM  
GROUND ARE APPROX. & BASED  
ON 225/75 15" TIRES & RIMS

REAR VIEW



TOP VIEW -  
HITCH AREA



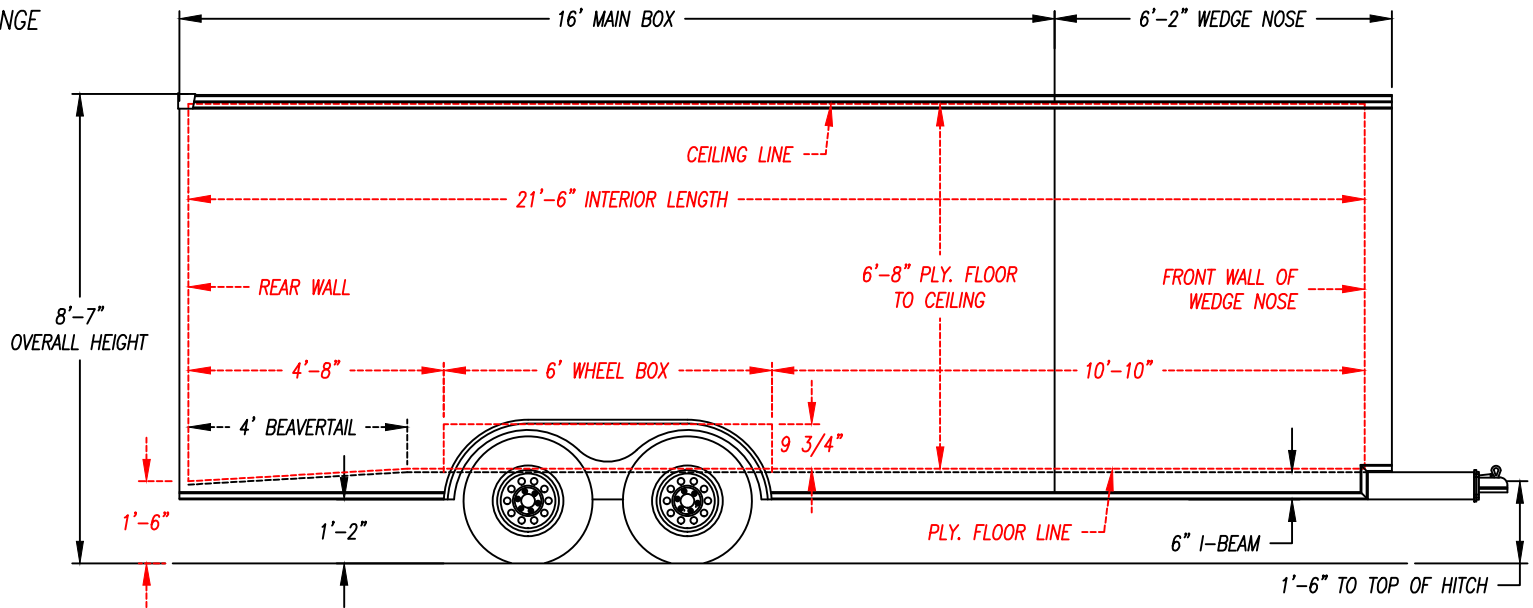
DESCRIPTION - XC-8.520TA

DRAWN BY - JAH DATE - 4/24/19

THIS DOCUMENT AND THE CONCEPTS INCORPORATED IS THE PROPERTY OF UNITED TRAILERS INC. AND IS NOT TO BE USED IN WHOLE OR IN PART FOR ANY OTHER PROJECT WITHOUT WRITTEN PERMISSION OF UNITED TRAILERS INC.

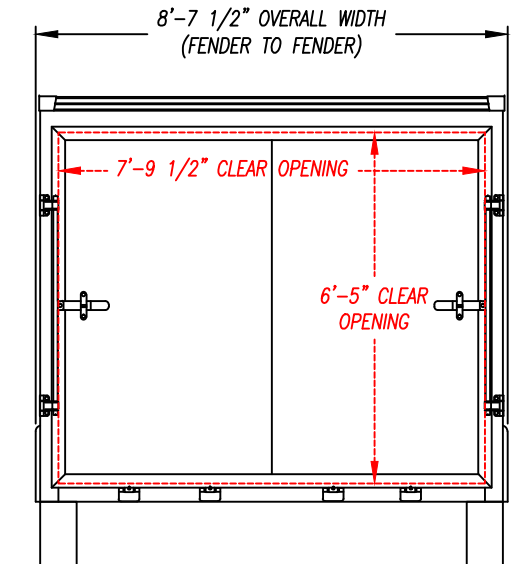
NOTE: ALL DIMENSIONS ARE  
NOMINAL & SUBJECT TO CHANGE

SIDE VIEW

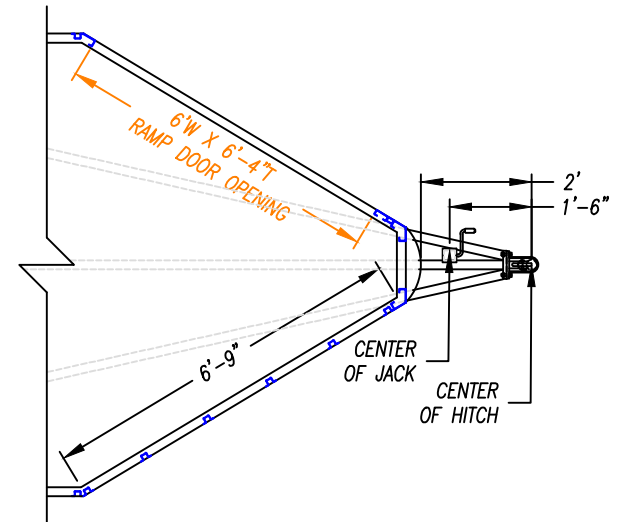


NOTE: ALL DIMENSIONS FROM  
GROUND ARE APPROX. & BASED  
ON 225/75 15" TIRES & RIMS

REAR VIEW



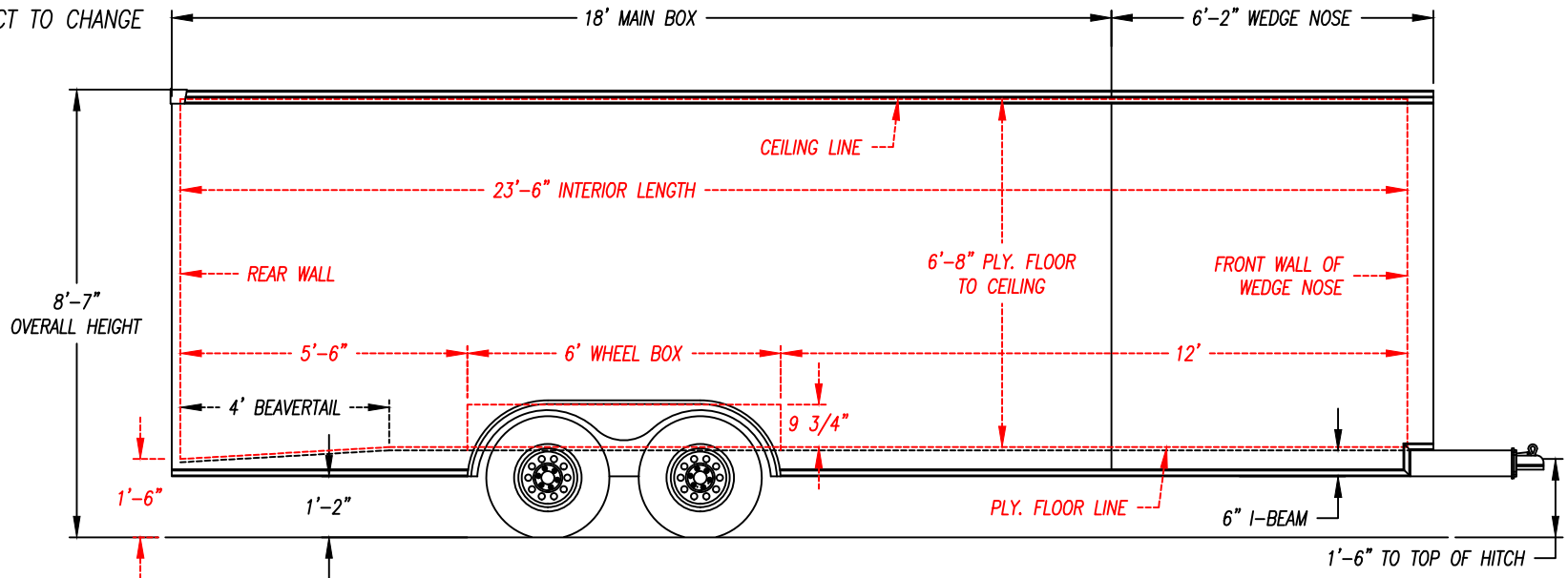
TOP VIEW -  
HITCH AREA



DESCRIPTION - XC-8.522TA			
DRAWN BY - JAH	DATE - 4/24/19		
THIS DOCUMENT AND THE CONCEPTS INCORPORATED IS THE PROPERTY OF UNITED TRAILERS INC. AND IS NOT TO BE USED IN WHOLE OR IN PART FOR ANY OTHER PROJECT WITHOUT WRITTEN PERMISSION OF UNITED TRAILERS INC.			

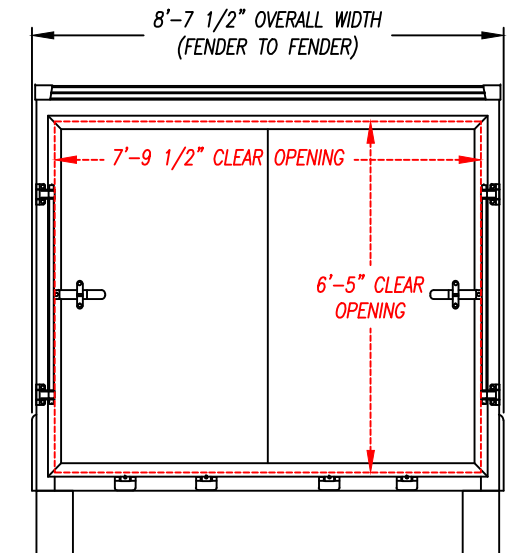
NOTE: ALL DIMENSIONS ARE NOMINAL & SUBJECT TO CHANGE

SIDE VIEW

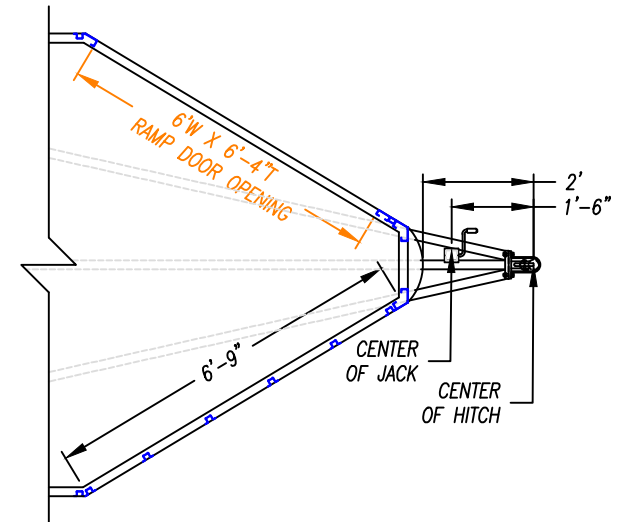


NOTE: ALL DIMENSIONS FROM GROUND ARE APPROX. & BASED ON 225/75 15" TIRES & RIMS

REAR VIEW



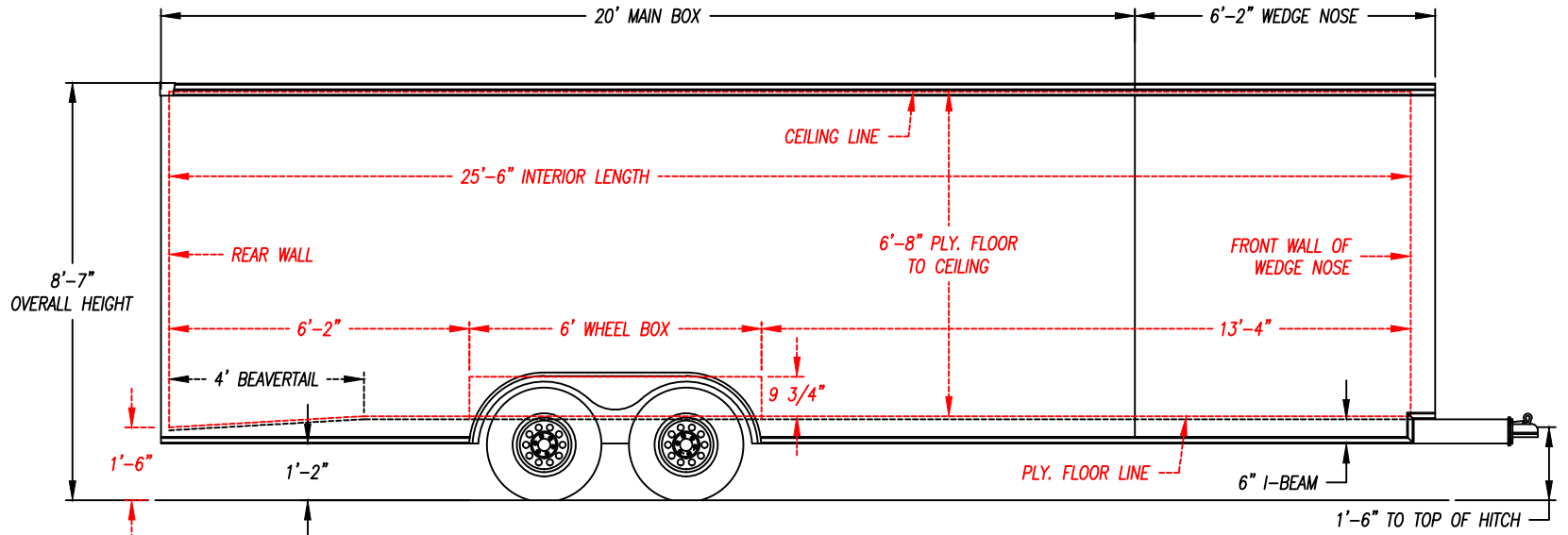
TOP VIEW - HITCH AREA



DESCRIPTION - XC-8.524TA			
DRAWN BY - JAH	DATE - 4/24/19		
THIS DOCUMENT AND THE CONCEPTS INCORPORATED IS THE PROPERTY OF UNITED TRAILERS INC. AND IS NOT TO BE USED IN WHOLE OR IN PART FOR ANY OTHER PROJECT WITHOUT WRITTEN PERMISSION OF UNITED TRAILERS INC..			

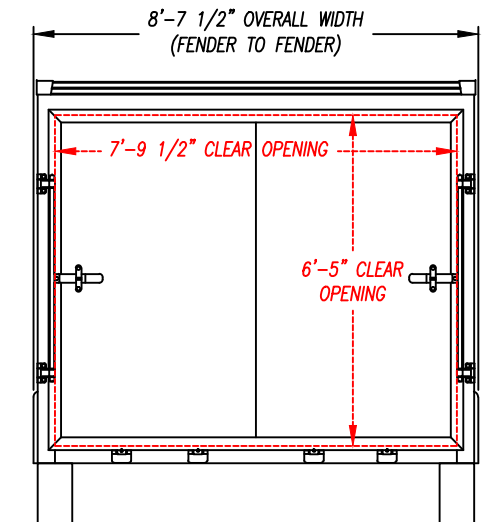
NOTE: ALL DIMENSIONS ARE  
NOMINAL & SUBJECT TO CHANGE

SIDE VIEW

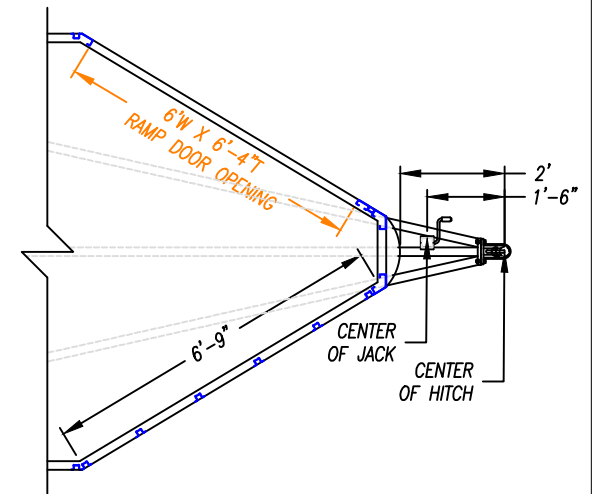


NOTE: ALL DIMENSIONS FROM  
GROUND ARE APPROX. & BASED  
ON 225/75 15" TIRES & RIMS

REAR VIEW



TOP VIEW -  
HITCH AREA



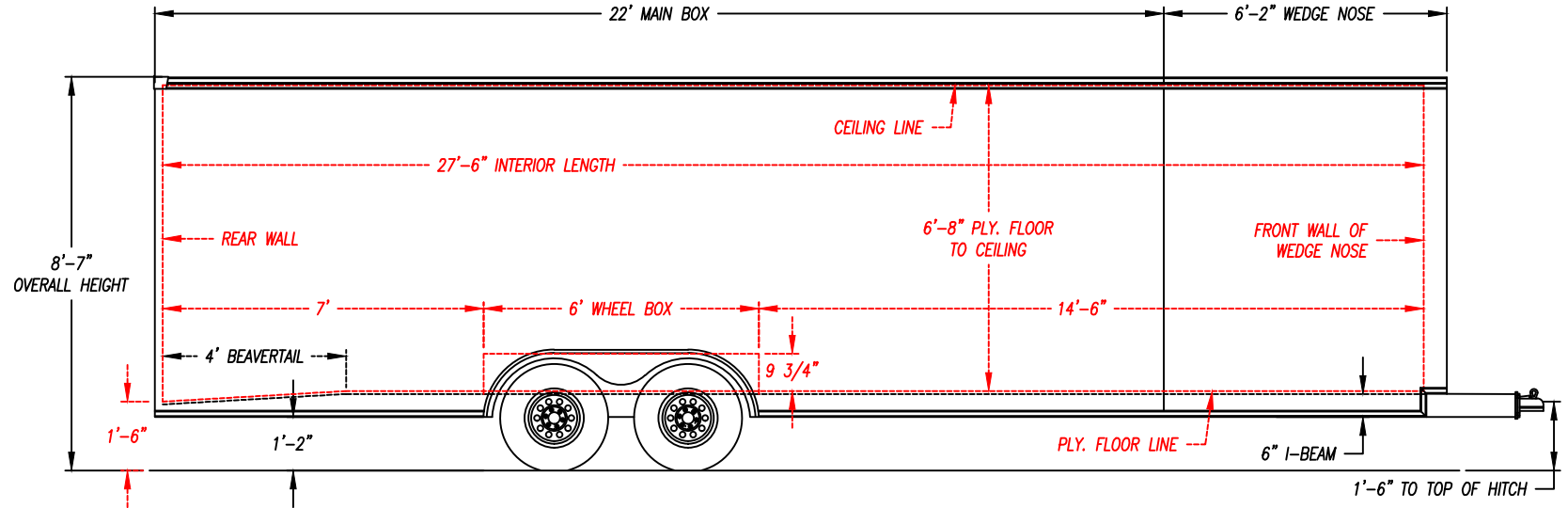
DESCRIPTION - XC-8.526TA

DRAWN BY - JAH DATE - 4/24/19

THIS DOCUMENT AND THE CONCEPTS INCORPORATED IS THE PROPERTY OF UNITED TRAILERS INC. AND IS NOT TO BE USED IN WHOLE OR IN PART FOR ANY OTHER PROJECT WITHOUT WRITTEN PERMISSION OF UNITED TRAILERS INC.

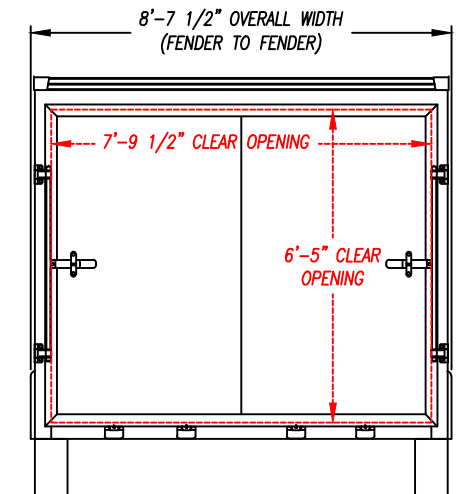
NOTE: ALL DIMENSIONS ARE  
NOMINAL & SUBJECT TO CHANGE

SIDE VIEW

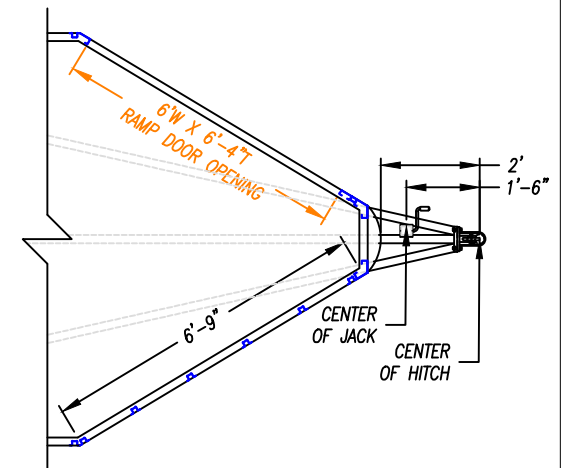


NOTE: ALL DIMENSIONS FROM  
GROUND ARE APPROX. & BASED  
ON 225/75 15" TIRES & RIMS

REAR VIEW



TOP VIEW -  
HITCH AREA



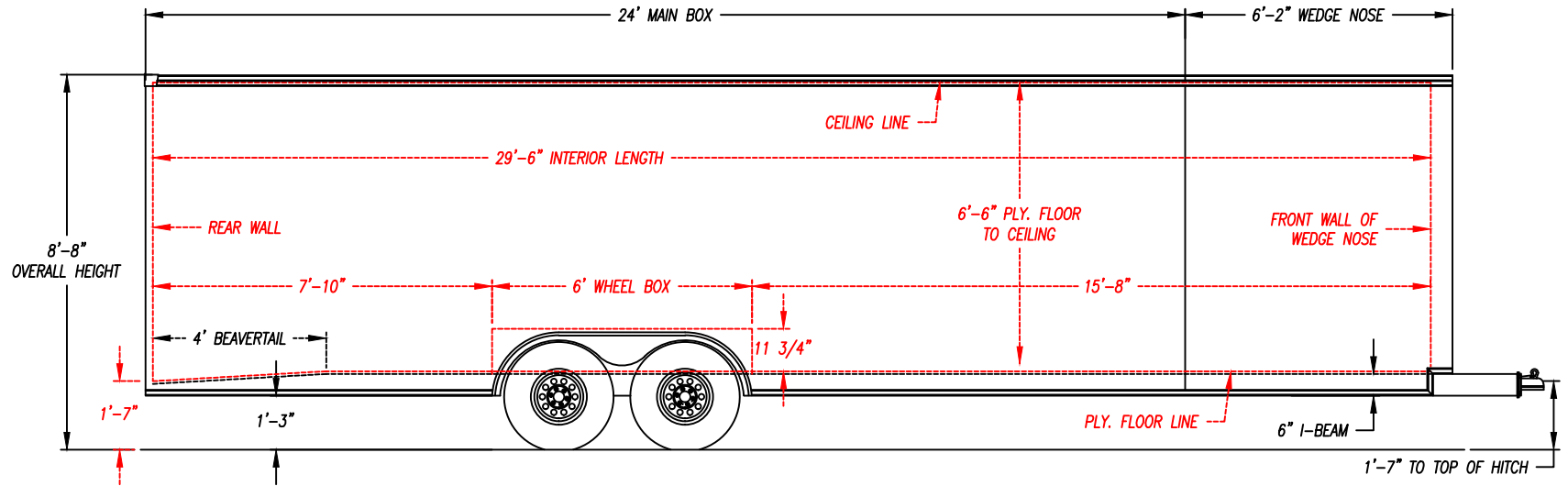
DESCRIPTION - XC-8.528TA

DRAWN BY - JAH DATE - 4/24/19

THIS DOCUMENT AND THE CONCEPTS INCORPORATED IS THE PROPERTY OF UNITED TRAILERS INC. AND IS NOT TO BE USED IN WHOLE OR IN PART FOR ANY OTHER PROJECT WITHOUT WRITTEN PERMISSION OF UNITED TRAILERS INC.

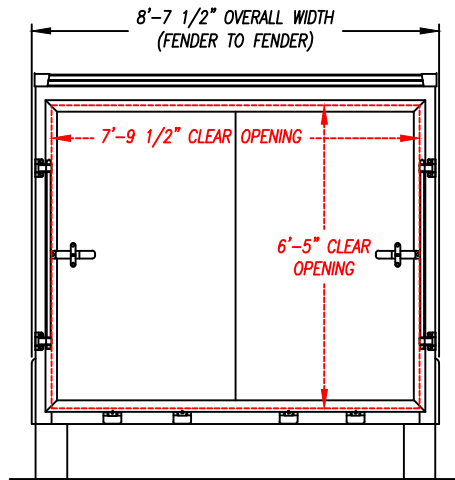
NOTE: ALL DIMENSIONS ARE  
NOMINAL & SUBJECT TO CHANGE

SIDE VIEW

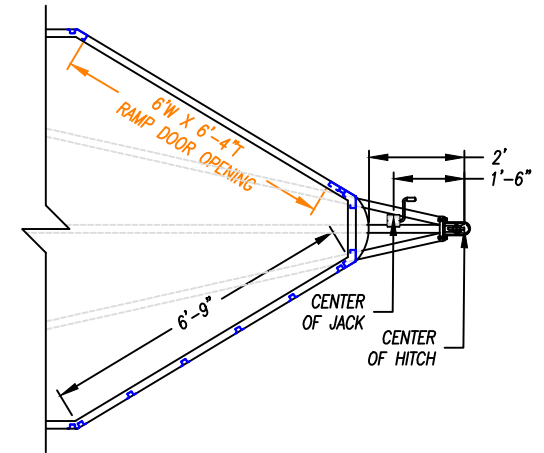


NOTE: ALL DIMENSIONS FROM  
GROUND ARE APPROX. & BASED  
ON 235/80R 16" TIRES & RIMS

REAR VIEW



TOP VIEW -  
HITCH AREA



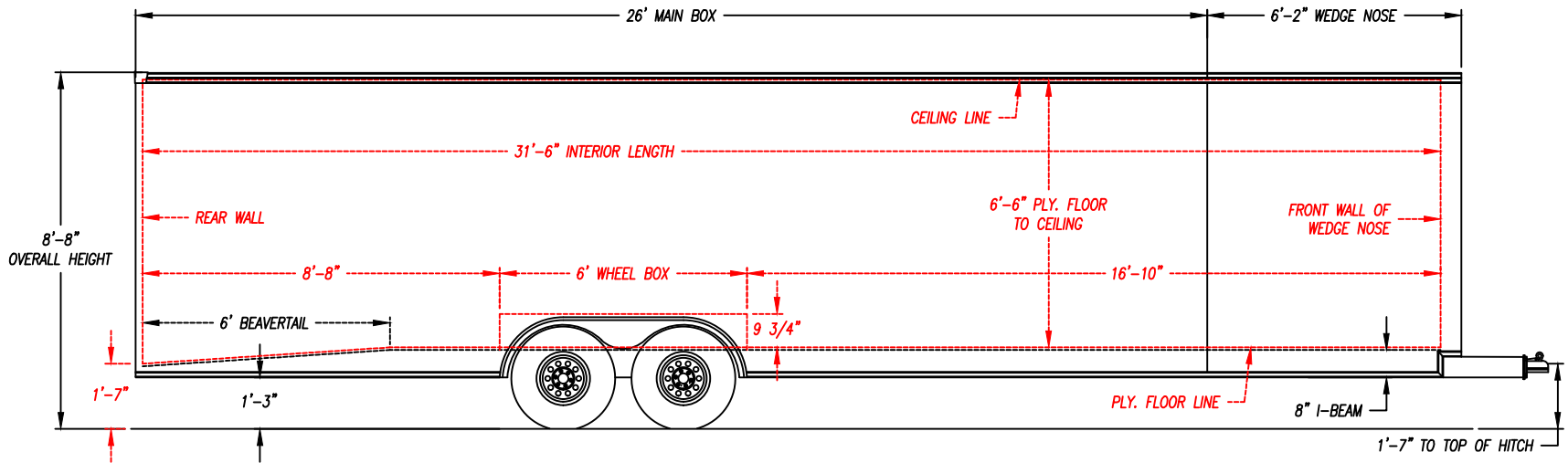
DESCRIPTION - XC-8.530TA

DRAWN BY - JAH DATE - 4/24/19

THIS DOCUMENT AND THE CONCEPTS INCORPORATED IS THE PROPERTY OF UNITED TRAILERS INC. AND IS NOT TO BE USED IN WHOLE OR IN PART FOR ANY OTHER PROJECT WITHOUT WRITTEN PERMISSION OF UNITED TRAILERS INC.

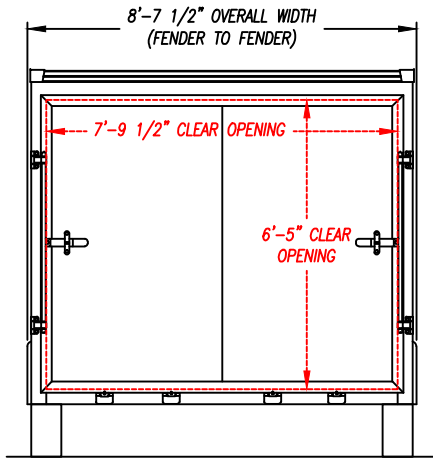
NOTE: ALL DIMENSIONS ARE  
NOMINAL & SUBJECT TO CHANGE

SIDE VIEW

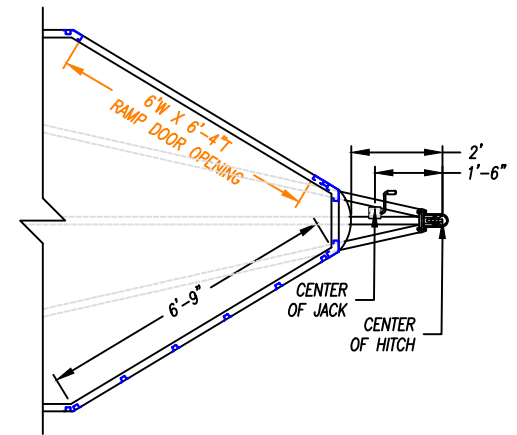


NOTE: ALL DIMENSIONS FROM  
GROUND ARE APPROX. & BASED  
ON 225/75 15" TIRES & RIMS

REAR VIEW



TOP VIEW -  
HITCH AREA



DESCRIPTION - XC-8.532TA

DRAWN BY - JAH DATE - 4/24/19

THIS DOCUMENT AND THE CONCEPTS INCORPORATED IS THE PROPERTY OF UNITED TRAILERS INC. AND IS NOT TO BE USED IN WHOLE OR IN PART FOR ANY OTHER PROJECT WITHOUT WRITTEN PERMISSION OF UNITED TRAILERS INC.