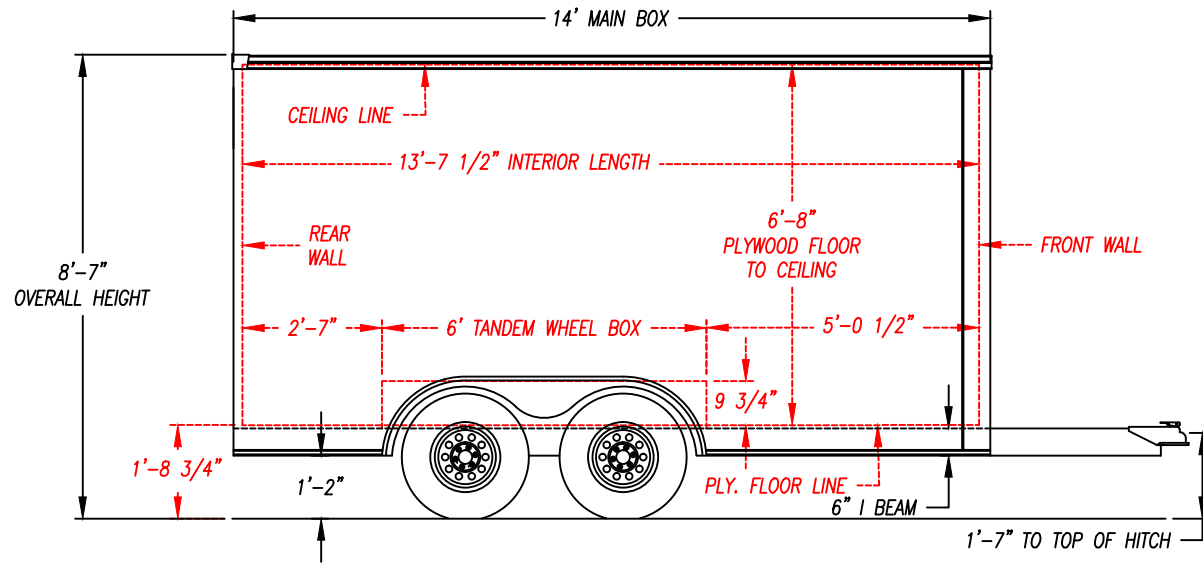


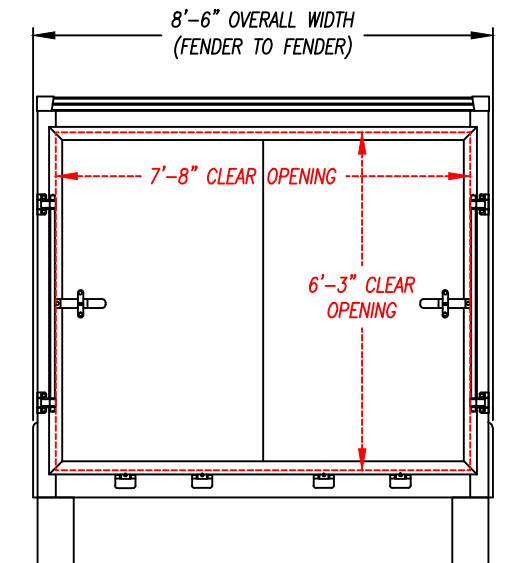
NOTE: ALL DIMENSIONS ARE
NOMINAL & SUBJECT TO CHANGE

SIDE VIEW



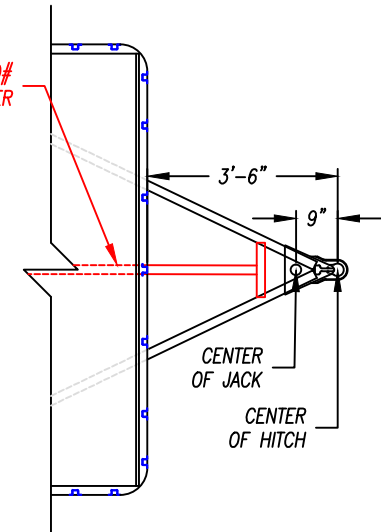
NOTE: ALL DIMENSIONS FROM
GROUND ARE APPROX. & BASED
ON 225/75 15" TIRES & RIMS

REAR VIEW



THIRD MEMBER REQ'D WHEN 4900#
AXLES, OR MORE, ARE ON TRAILER

TOP VIEW -
HITCH AREA



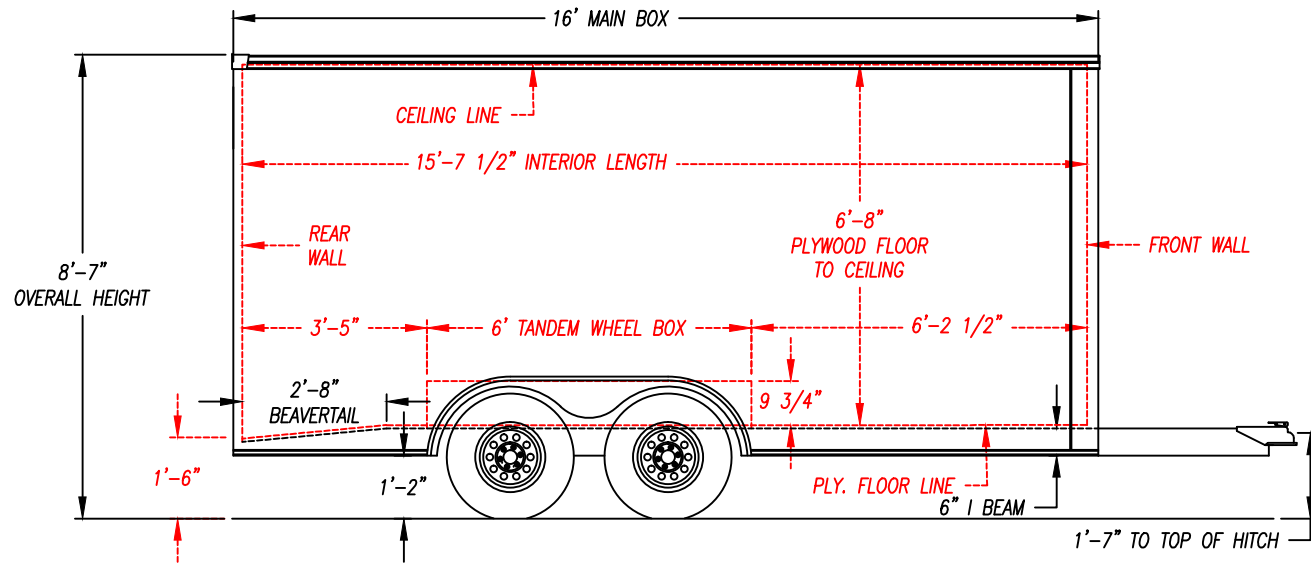
DESCRIPTION -
XLT-8.514TA

DRAWN BY - JAH DATE - 4/10/19

THIS DOCUMENT AND THE CONCEPTS INCORPORATED IS THE PROPERTY OF UNITED TRAILERS INC. AND IS NOT TO BE USED IN WHOLE OR IN PART FOR ANY OTHER PROJECT WITHOUT WRITTEN PERMISSION OF UNITED TRAILERS INC.

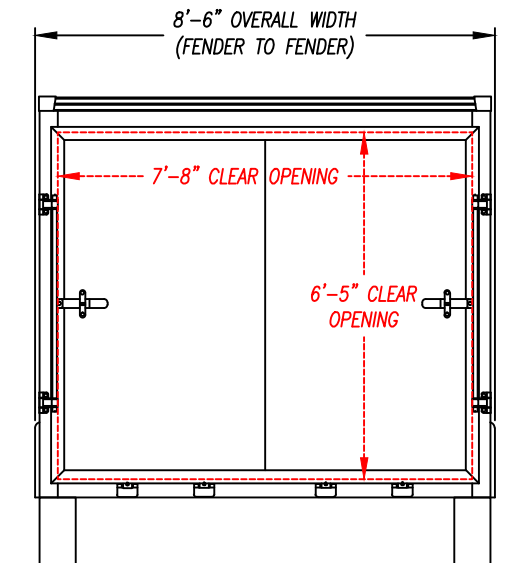
NOTE: ALL DIMENSIONS ARE
NOMINAL & SUBJECT TO CHANGE

SIDE VIEW



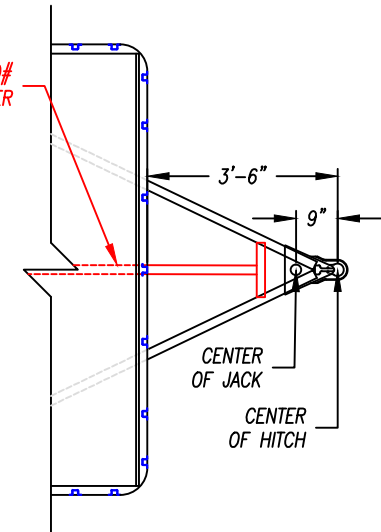
NOTE: ALL DIMENSIONS FROM
GROUND ARE APPROX. & BASED
ON 225/75 15" TIRES & RIMS

REAR VIEW



THIRD MEMBER REQ'D WHEN 4900#
AXLES, OR MORE, ARE ON TRAILER

TOP VIEW -
HITCH AREA



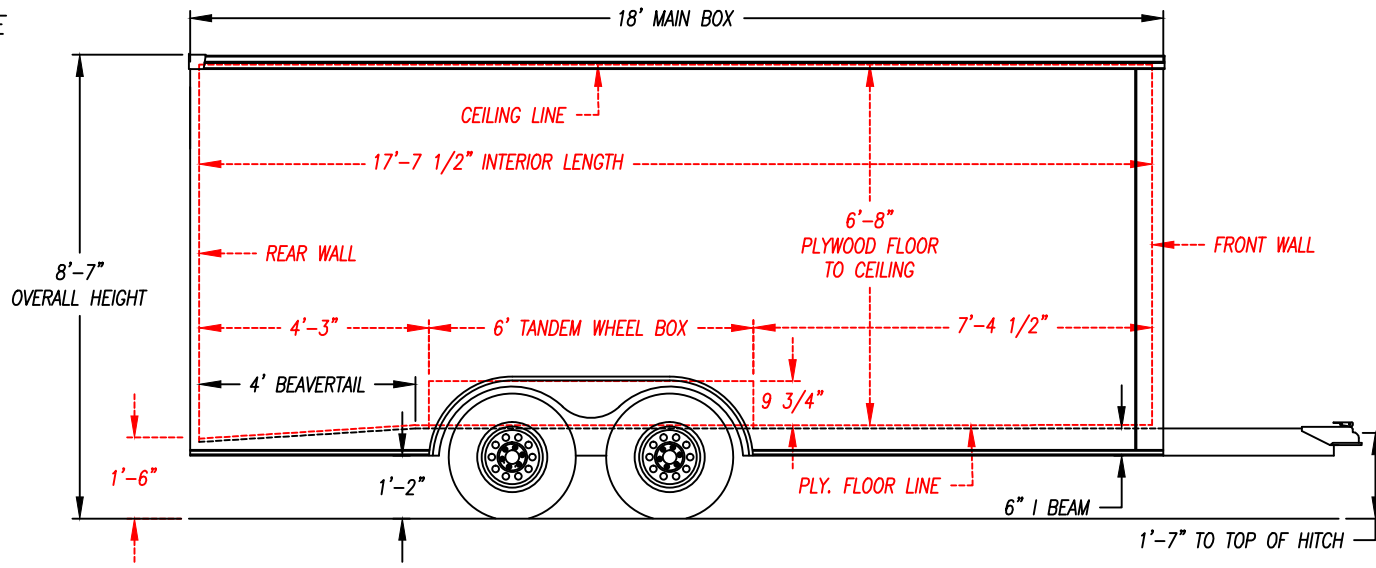
DESCRIPTION - XLT-8.516TA

DRAWN BY - JAH DATE - 4/10/19

THIS DOCUMENT AND THE CONCEPTS INCORPORATED IS THE PROPERTY OF UNITED TRAILERS INC. AND IS NOT TO BE USED IN WHOLE OR IN PART FOR ANY OTHER PROJECT WITHOUT WRITTEN PERMISSION OF UNITED TRAILERS INC.

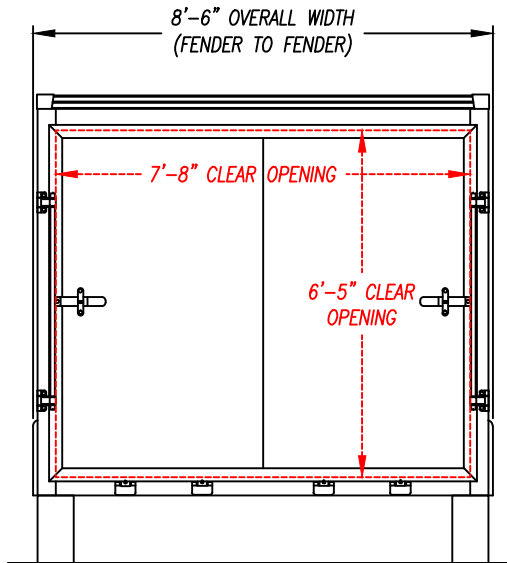
NOTE: ALL DIMENSIONS ARE NOMINAL & SUBJECT TO CHANGE

SIDE VIEW



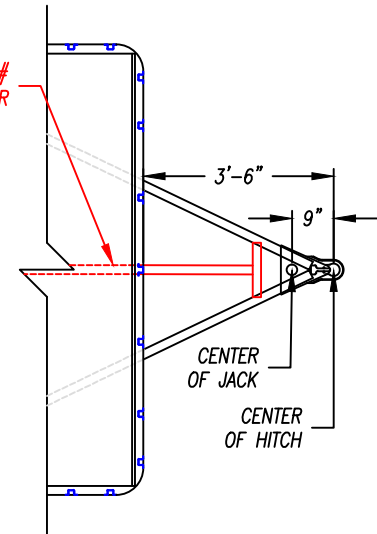
NOTE: ALL DIMENSIONS FROM GROUND ARE APPROX. & BASED ON 225/75 15" TIRES & RIMS

REAR VIEW



THIRD MEMBER REQ'D WHEN 4900# AXLES, OR MORE, ARE ON TRAILER

TOP VIEW - HITCH AREA



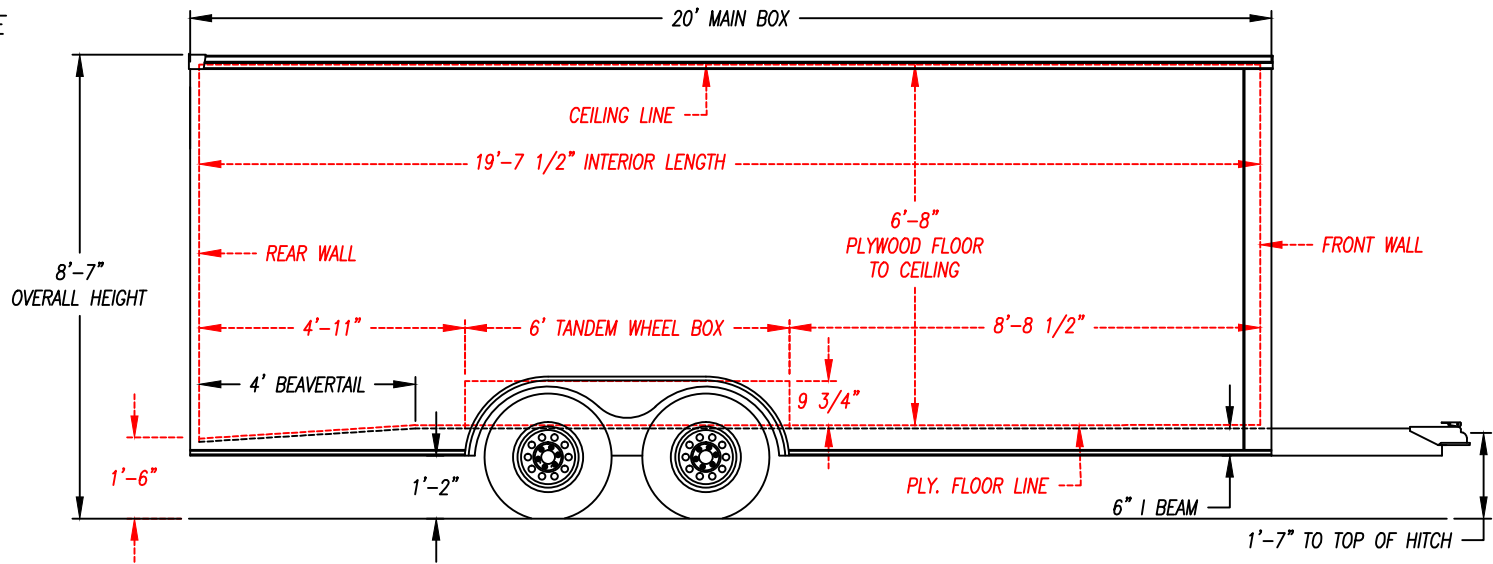
DESCRIPTION - XLT-8.518TA

DRAWN BY - JAH DATE - 4/10/19

THIS DOCUMENT AND THE CONCEPTS INCORPORATED IS THE PROPERTY OF UNITED TRAILERS INC. AND IS NOT TO BE USED IN WHOLE OR IN PART FOR ANY OTHER PROJECT WITHOUT WRITTEN PERMISSION OF UNITED TRAILERS INC.

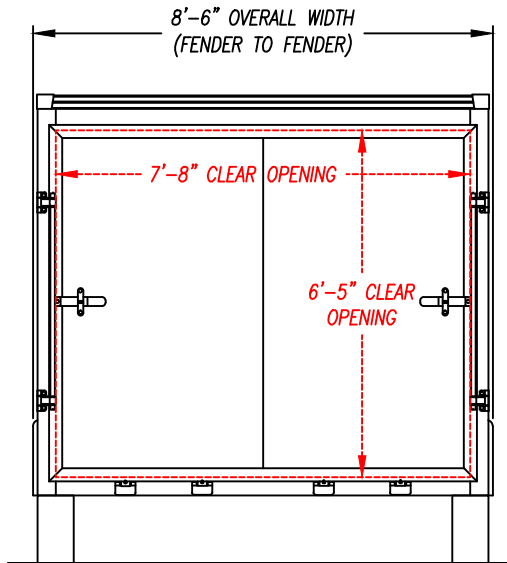
NOTE: ALL DIMENSIONS ARE
NOMINAL & SUBJECT TO CHANGE

SIDE VIEW



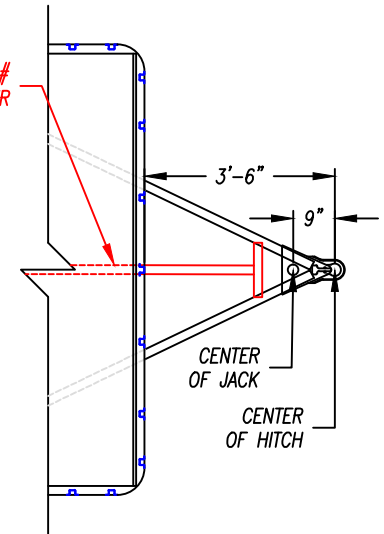
NOTE: ALL DIMENSIONS FROM
GROUND ARE APPROX. & BASED
ON 225/75 15" TIRES & RIMS

REAR VIEW



THIRD MEMBER REQ'D WHEN 4900#
AXLES, OR MORE, ARE ON TRAILER

TOP VIEW -
HITCH AREA



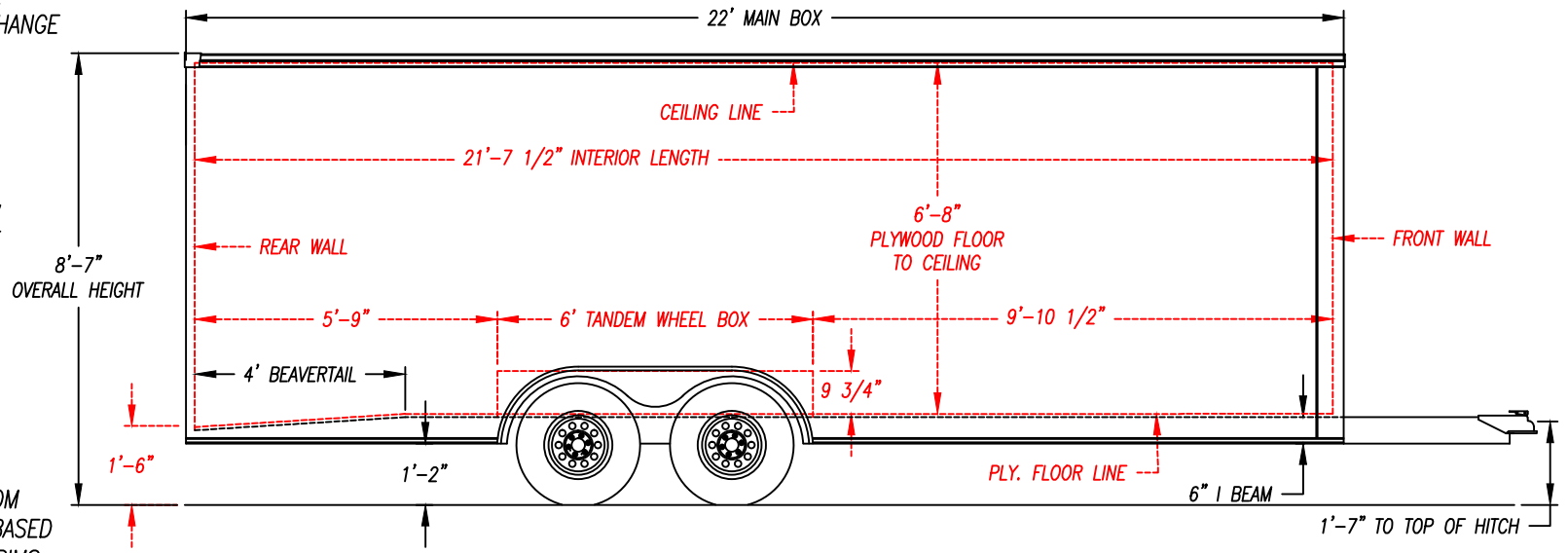
DESCRIPTION -
XLT-8.520TA

DRAWN BY - JAH DATE - 4/10/19

THIS DOCUMENT AND THE CONCEPTS INCORPORATED IS THE PROPERTY OF UNITED TRAILERS INC. AND IS NOT TO BE USED IN WHOLE OR IN PART FOR ANY OTHER PROJECT WITHOUT WRITTEN PERMISSION OF UNITED TRAILERS INC.

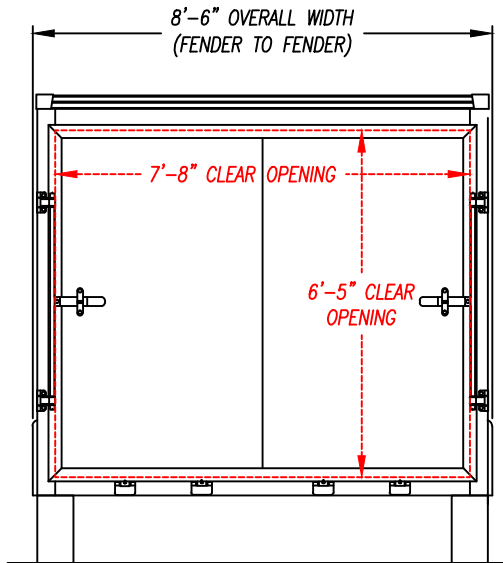
NOTE: ALL DIMENSIONS ARE NOMINAL & SUBJECT TO CHANGE

SIDE VIEW



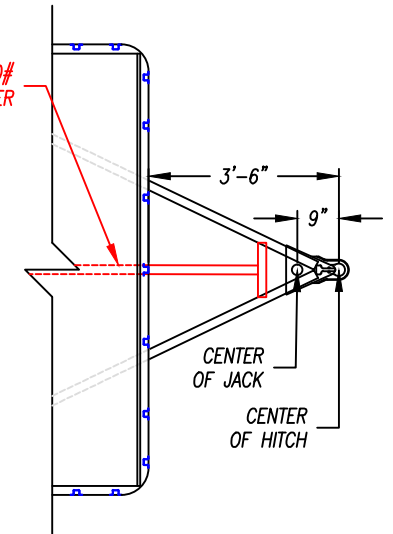
NOTE: ALL DIMENSIONS FROM GROUND ARE APPROX. & BASED ON 225/75 15" TIRES & RIMS

REAR VIEW



THIRD MEMBER REQ'D WHEN 4900# AXLES, OR MORE, ARE ON TRAILER

TOP VIEW - HITCH AREA



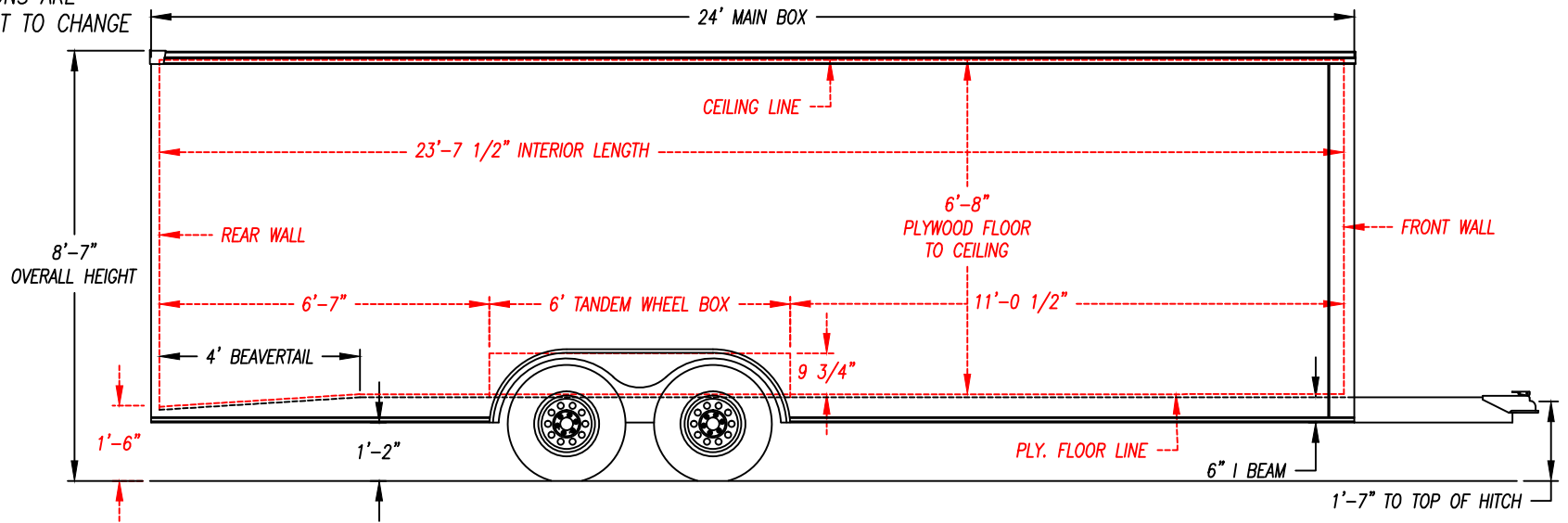
DESCRIPTION - XLT-8.522TA

DRAWN BY - JAH DATE - 4/10/19

THIS DOCUMENT AND THE CONCEPTS INCORPORATED IS THE PROPERTY OF UNITED TRAILERS INC. AND IS NOT TO BE USED IN WHOLE OR IN PART FOR ANY OTHER PROJECT WITHOUT WRITTEN PERMISSION OF UNITED TRAILERS INC.

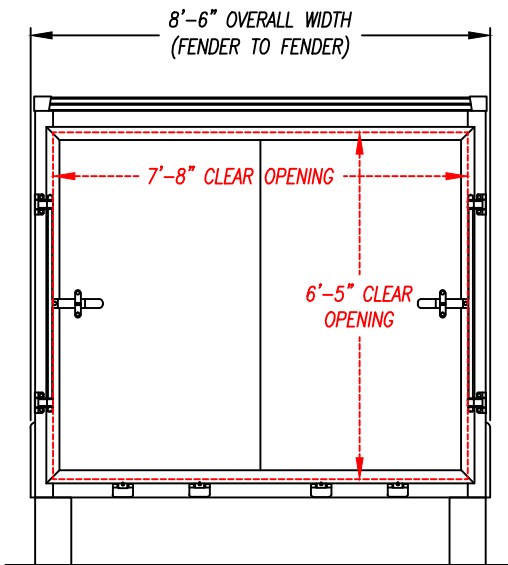
NOTE: ALL DIMENSIONS ARE
NOMINAL & SUBJECT TO CHANGE

SIDE VIEW



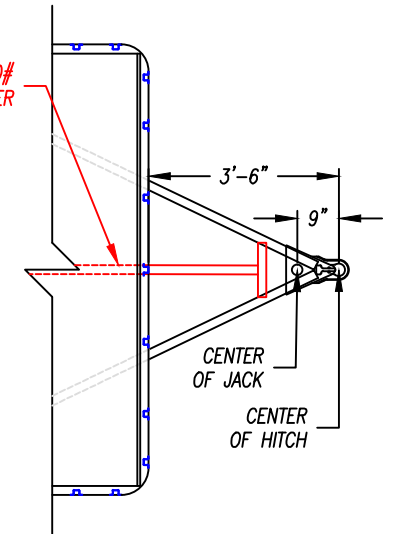
NOTE: ALL DIMENSIONS FROM
GROUND ARE APPROX. & BASED
ON 225/75 15" TIRES & RIMS

REAR VIEW



THIRD MEMBER REQ'D WHEN 4900#
AXLES, OR MORE, ARE ON TRAILER

TOP VIEW -
HITCH AREA



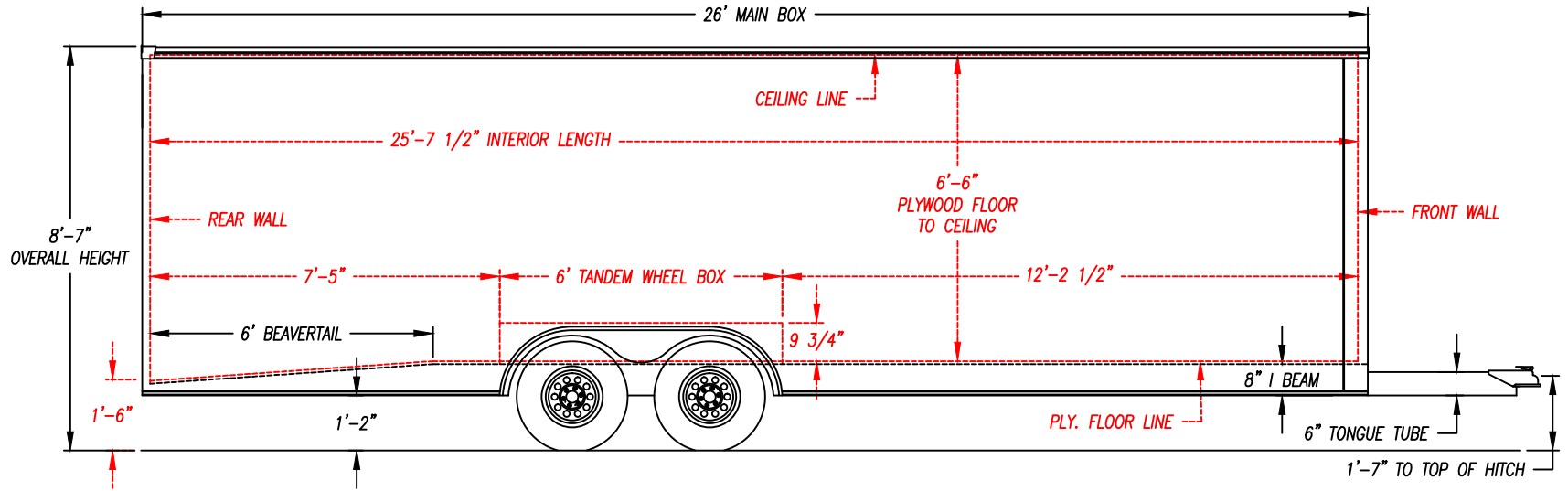
DESCRIPTION -
XLT-8.524TA

DRAWN BY - JAH DATE - 4/10/19

THIS DOCUMENT AND THE CONCEPTS INCORPORATED IS THE PROPERTY OF UNITED TRAILERS INC. AND IS NOT TO BE USED IN WHOLE OR IN PART FOR ANY OTHER PROJECT WITHOUT WRITTEN PERMISSION OF UNITED TRAILERS INC.

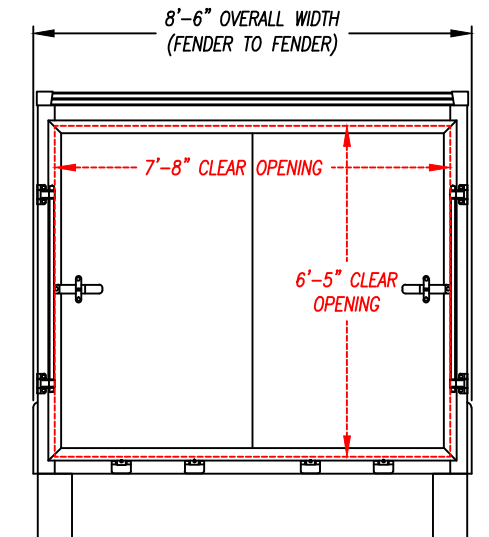
NOTE: ALL DIMENSIONS ARE NOMINAL & SUBJECT TO CHANGE

SIDE VIEW



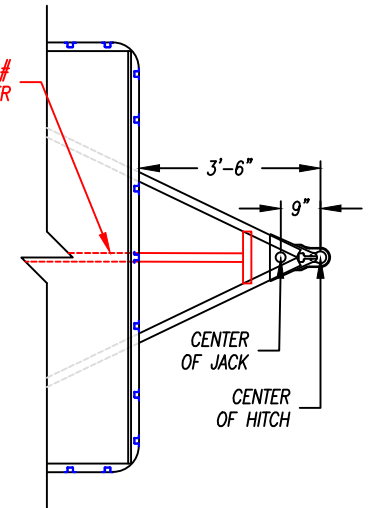
NOTE: ALL DIMENSIONS FROM GROUND ARE APPROX. & BASED ON 225/75 15" TIRES & RIMS

REAR VIEW



THIRD MEMBER REQ'D WHEN 4900# AXLES, OR MORE, ARE ON TRAILER

TOP VIEW - HITCH AREA



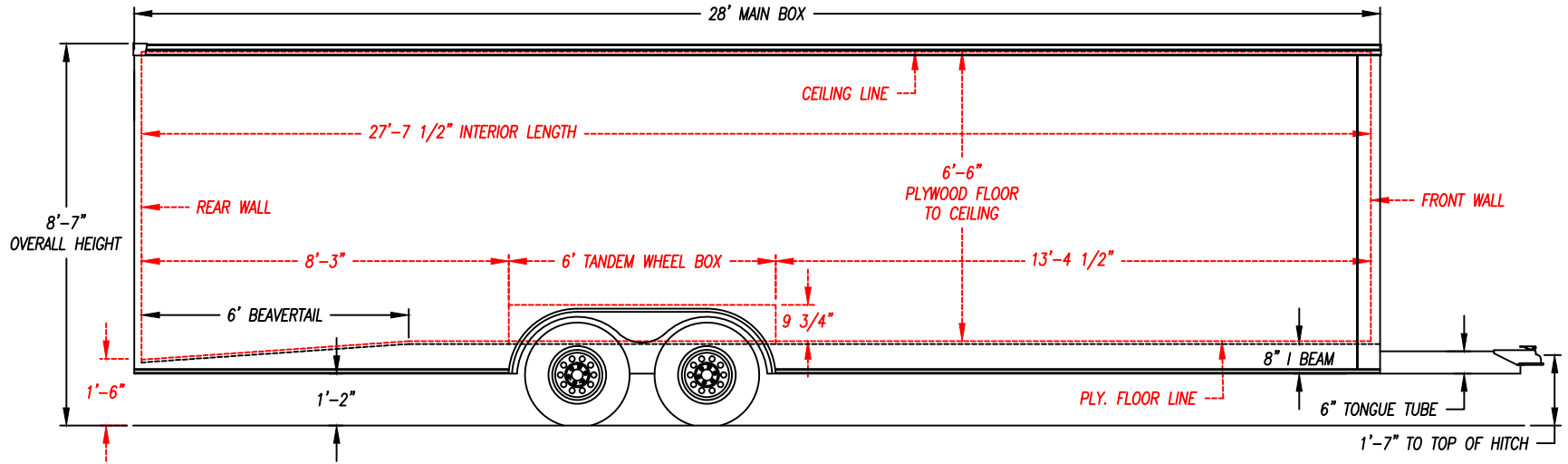
DESCRIPTION - XLT-8.526TA

DRAWN BY - JAH DATE - 4/10/19

THIS DOCUMENT AND THE CONCEPTS INCORPORATED IS THE PROPERTY OF UNITED TRAILERS INC. AND IS NOT TO BE USED IN WHOLE OR IN PART FOR ANY OTHER PROJECT WITHOUT WRITTEN PERMISSION OF UNITED TRAILERS INC.

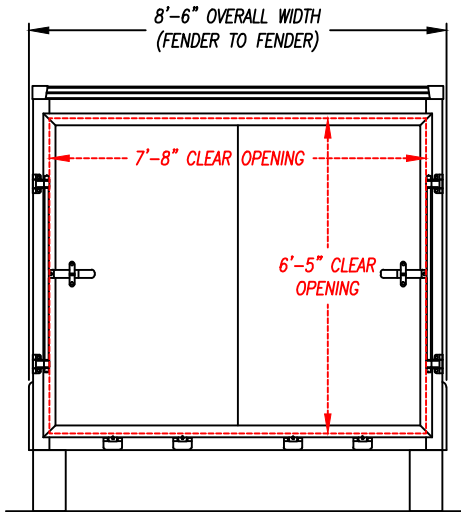
NOTE: ALL DIMENSIONS ARE
NOMINAL & SUBJECT TO CHANGE

SIDE VIEW



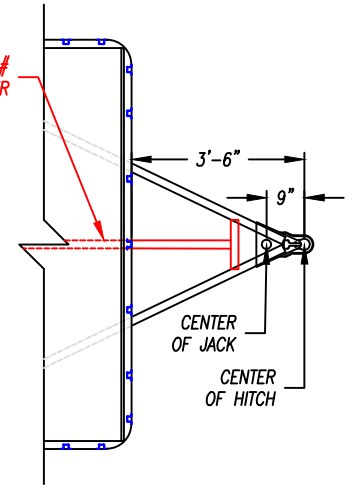
NOTE: ALL DIMENSIONS FROM
GROUND ARE APPROX. & BASED
ON 225/75 15" TIRES & RIMS

REAR VIEW



THIRD MEMBER REQ'D WHEN 4900#
AXLES, OR MORE, ARE ON TRAILER

TOP VIEW -
HITCH AREA



DESCRIPTION -
XLT-8.528TA

DRAWN BY - JAH DATE - 4/10/19

THIS DOCUMENT AND THE CONCEPTS INCORPORATED IS THE PROPERTY OF UNITED TRAILERS INC. AND IS NOT TO BE USED IN WHOLE OR IN PART FOR ANY OTHER PROJECT WITHOUT WRITTEN PERMISSION OF UNITED TRAILERS INC.