

APPROVED BY: DATE INITIALS

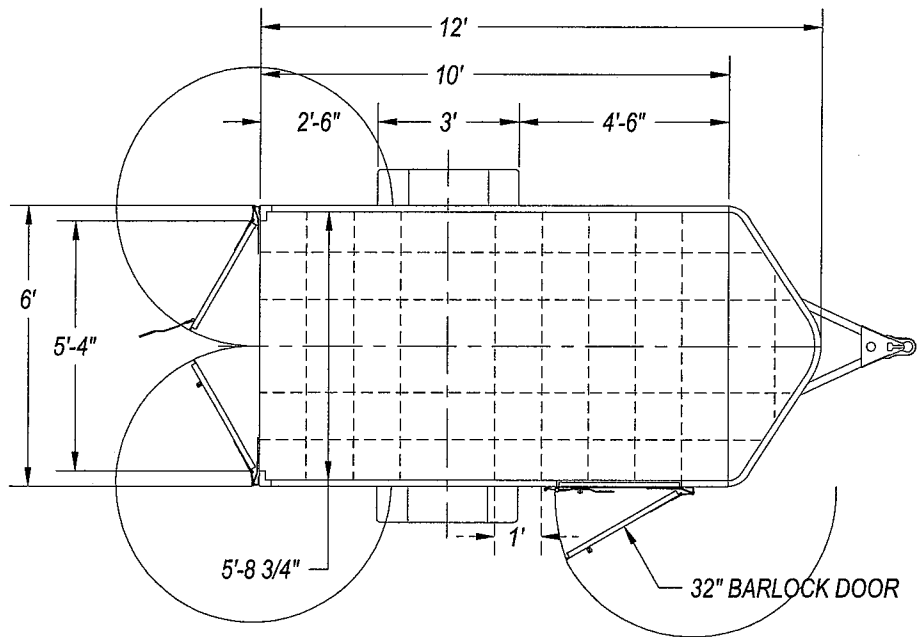
SALES \_\_\_\_\_

DEALER \_\_\_\_\_

CUSTOMER \_\_\_\_\_

© 2006 United Trailers

☉ 12V Dome Light	STEREO	\$ 110V 110V Switch	⊗ Motorbase Plug
\$ 12V Switch	\$ 3-Way 12V Switch	⊙ Interior Recept	30 AMP Electrical Box
☐ 12V Porch/Load Light	⊗ Stereo Speaker	\$ 3-Way Switch	50 AMP Electrical Box
☑ Backup Light	⊙ Air Inlet/Outlet	⊗ GFI Recept	100 AMP Electrical Box



# UV 6 X 10 SA



CUSTOMER: \_\_\_\_\_

SERIAL: \_\_\_\_\_

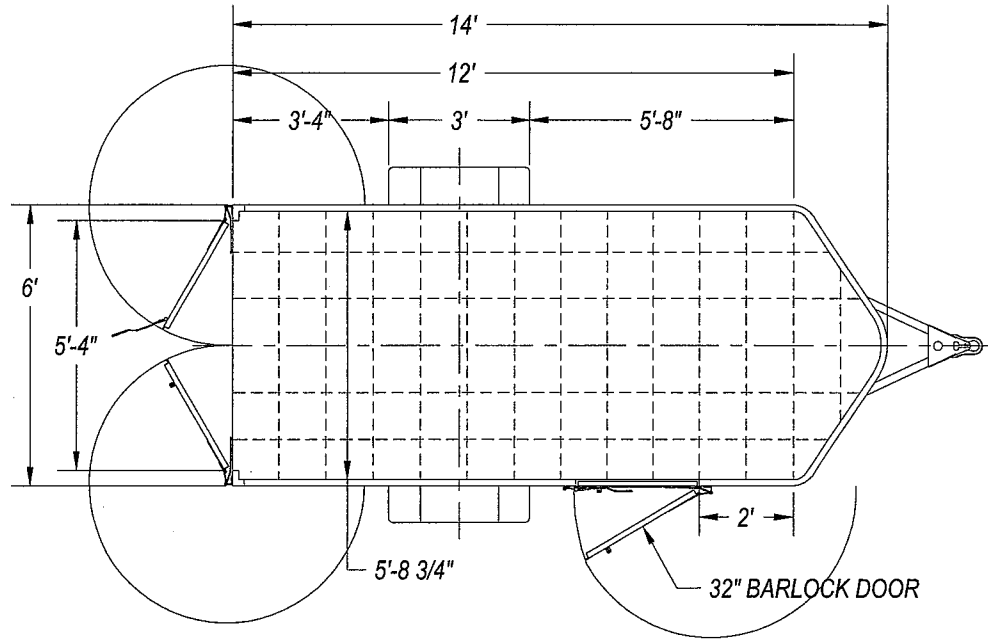
ORDER: \_\_\_\_\_

REV. DATE: \_\_\_\_\_

DRN BY: \_\_\_\_\_

APPROVED BY: DATE \_\_\_\_\_ INITIALS \_\_\_\_\_  
 SALES \_\_\_\_\_  
 DEALER \_\_\_\_\_  
 CUSTOMER \_\_\_\_\_  
 © 2006 United Trailers

12V Dome Light	STEREO	110V Switch	Motorbase Plug
12V Switch	3-Way 12V Switch	Interior Recept	30 AMP Electrical Box
12V Porch/Load Light	Stereo Speaker	3-Way Switch	50 AMP Electrical Box
Backup Light	Air Inlet/Outlet	GFI Recept	100 AMP Electrical Box



# UV 6 X 12 SA



CUSTOMER: \_\_\_\_\_

SERIAL: \_\_\_\_\_

ORDER: \_\_\_\_\_

REV. DATE: \_\_\_\_\_

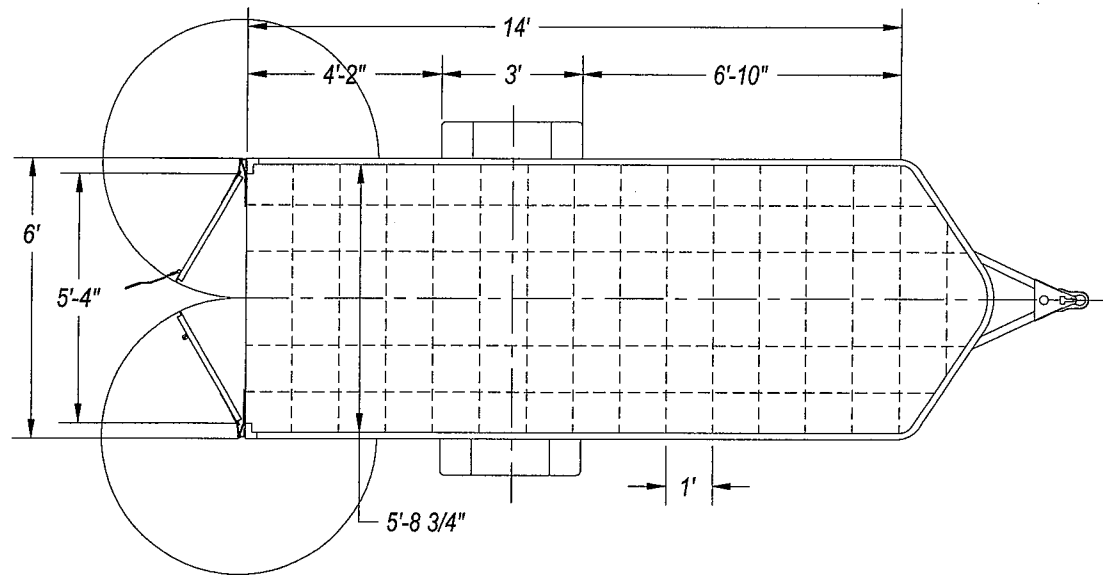
DRN BY: \_\_\_\_\_

APPROVED BY: DATE INITIALS

SALES \_\_\_\_\_  
 DEALER \_\_\_\_\_  
 CUSTOMER \_\_\_\_\_

© 2006 United Trailers

12V Dome Light	STEREO	110V Switch	Motorbase Plug
12V Switch	3-Way 12V Switch	Interior Recept	30 AMP Electrical Box
12V Porch/Load Light	Stereo Speaker	3-Way Switch	50 AMP Electrical Box
Backup Light	Air Inlet/Outlet	GFI Recept	100 AMP Electrical Box



**UV 6 X 14 SA**

**United TRAILERS**

CUSTOMER: \_\_\_\_\_

SERIAL: \_\_\_\_\_

ORDER: \_\_\_\_\_

REV. DATE: \_\_\_\_\_

DRN BY: \_\_\_\_\_

APPROVED BY: DATE INITIALS

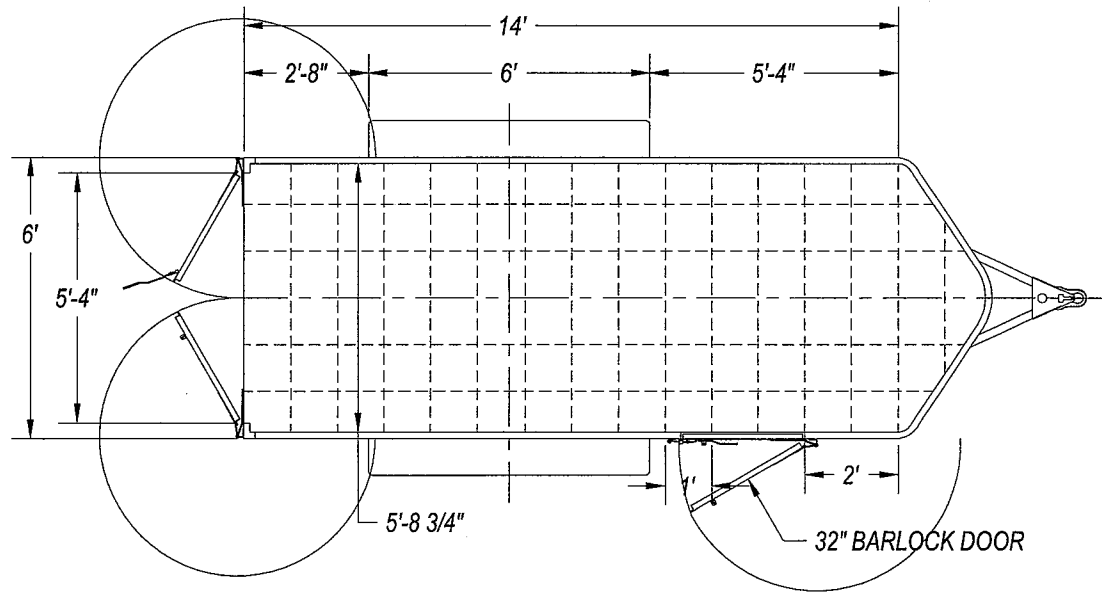
SALES \_\_\_\_\_

DEALER \_\_\_\_\_

CUSTOMER \_\_\_\_\_

© 2006 United Trailers

☉ 12V Dome Light	STEREO	\$ 110V 110V Switch	⊗ Motorbase Plug
\$ 12V Switch	\$ 3-Way 12V Switch	⊙ Interior Recept	30 AMP Electrical Box
☐ 12V Porch/Load Light	⊗ Stereo Speaker	\$ 3-Way Switch	50 AMP Electrical Box
☑ Backup Light	⊙ Air Inlet/Outlet	⊗ GFI Recept	100 AMP Electrical Box



# UV - UVEH - 6 X 14 TA



CUSTOMER: \_\_\_\_\_

SERIAL: \_\_\_\_\_

ORDER: \_\_\_\_\_

REV. DATE: \_\_\_\_\_

DRN BY: \_\_\_\_\_

APPROVED BY: DATE INITIALS

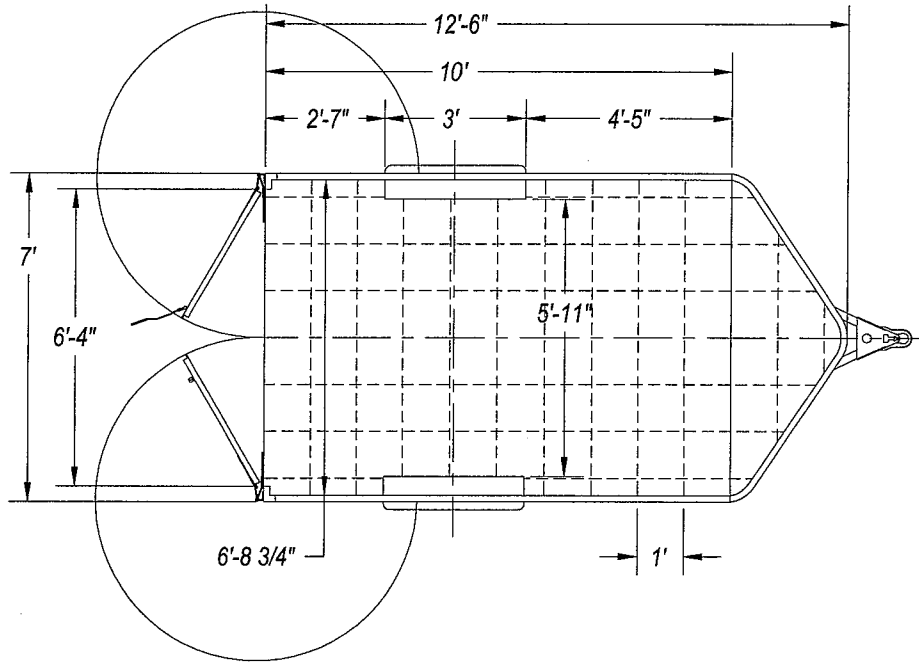
SALES \_\_\_\_\_

DEALER \_\_\_\_\_

CUSTOMER \_\_\_\_\_

© 2006 United Trailers

☉ 12V Dome Light	STEREO	\$ 110V 110V Switch	⊗ Motorbase Plug
\$ 12V 12V Switch	\$ 3-Way 12V Switch	⊙ Interior Recept	30 AMP Electrical Box
☐ 12V Porch/Load Light	⊗ Stereo Speaker	\$ 3-Way Switch	50 AMP Electrical Box
↖ Backup Light	⊙ Air Inlet/Outlet	⊗ GFI Recept	100 AMP Electrical Box



**UV 7 X 10 SA**



CUSTOMER: \_\_\_\_\_

SERIAL: \_\_\_\_\_

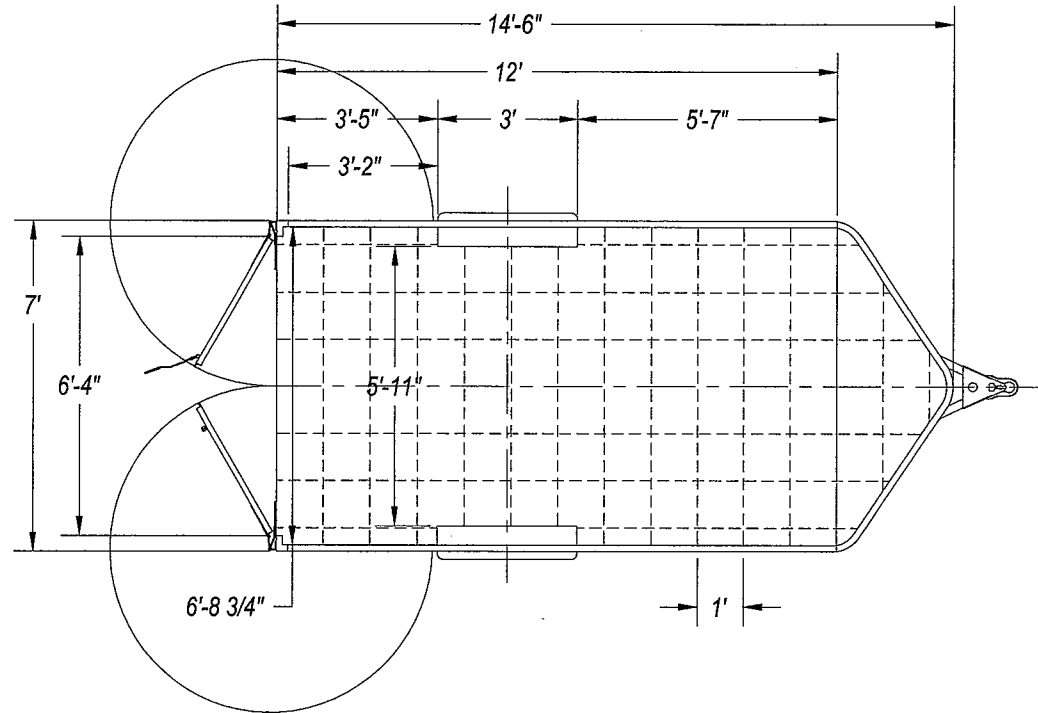
ORDER: \_\_\_\_\_

REV. DATE: \_\_\_\_\_

DRN BY: \_\_\_\_\_

APPROVED BY: DATE INITIALS  
 SALES \_\_\_\_\_  
 DEALER \_\_\_\_\_  
 CUSTOMER \_\_\_\_\_  
 © 2006 United Trailers

☉ 12V Dome Light	STEREO	\$ 110V 110V Switch	⊗ Motorbase Plug
\$ 12V 12V Switch	\$ 12V 12V 3-Way 12V Switch	⊙ Interior Recept	30 AMP Electrical Box
☐ 12V Porch/Load Light	⊗ Stereo Speaker	\$ 12V 12V 3-Way Switch	50 AMP Electrical Box
☛ Backup Light	⊙ Air Inlet/Outlet	⊙ GFI Recept	100 AMP Electrical Box



**UV 7 X 12 SA**



CUSTOMER: \_\_\_\_\_ SERIAL: \_\_\_\_\_ ORDER: \_\_\_\_\_ REV. DATE: \_\_\_\_\_ DRN BY: \_\_\_\_\_

APPROVED BY: DATE \_\_\_\_\_ INITIALS \_\_\_\_\_

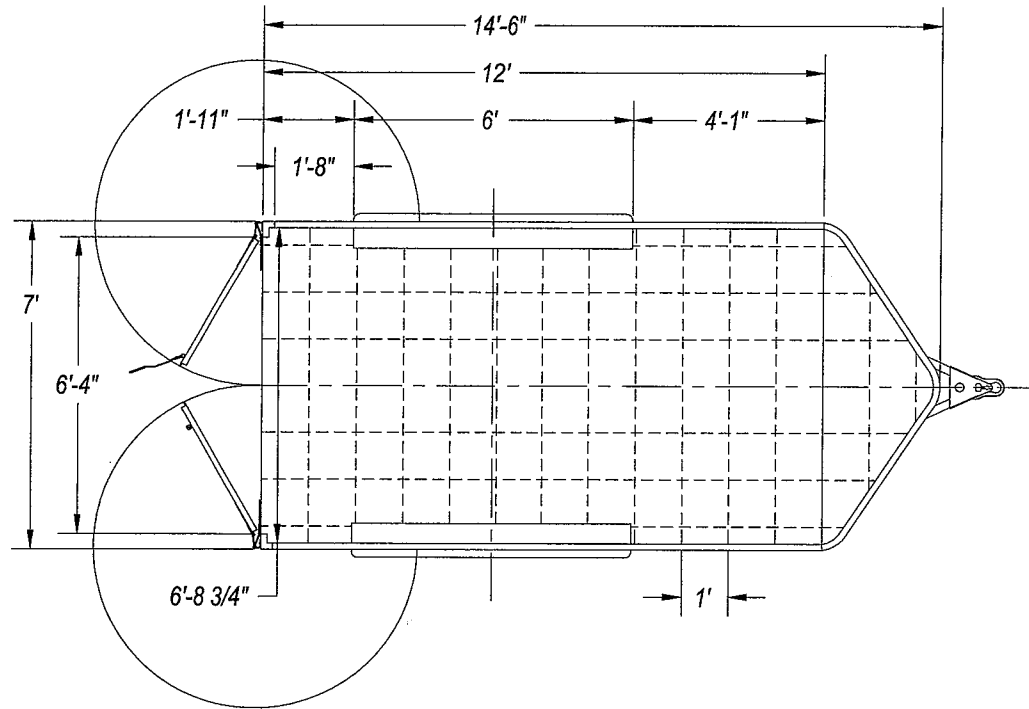
SALES \_\_\_\_\_

DEALER \_\_\_\_\_

CUSTOMER \_\_\_\_\_

© 2006 United Trailers

☉ 12V Dome Light	STEREO	\$ 110V 110V Switch	⊗ Motorbase Plug
\$ 12V Switch	\$ 3-Way 12V Switch	⊙ Interior Recept	30 AMP Electrical Box
☐ 12V Porch/Load Light	⊗ Stereo Speaker	\$ 12V 12V 3-Way Switch	50 AMP Electrical Box
↗ Backup Light	⊙ Air Inlet/Outlet	⊙ GFI Recept	100 AMP Electrical Box



**UV 7 X 12 TA**



CUSTOMER: \_\_\_\_\_

SERIAL: \_\_\_\_\_

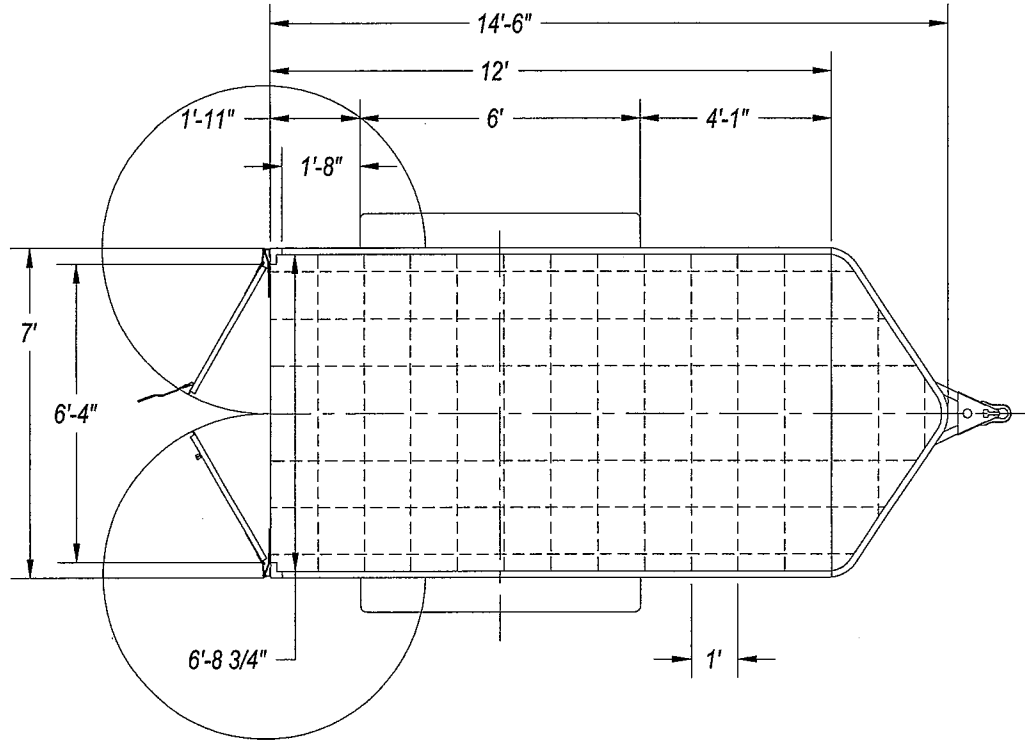
ORDER: \_\_\_\_\_

REV. DATE: \_\_\_\_\_

DRN BY: \_\_\_\_\_

APPROVED BY: DATE \_\_\_\_\_ INITIALS \_\_\_\_\_  
 SALES \_\_\_\_\_  
 DEALER \_\_\_\_\_  
 CUSTOMER \_\_\_\_\_  
 © 2006 United Trailers

☉ 12V Dome Light	STEREO	\$ 110V 110V Switch	⊗ Motorbase Plug
\$ 12V 12V Switch	\$ 3-Way 12V Switch	⊙ Interior Recept	30 AMP Electrical Box
☐ 12V Porch/Load Light	⊗ Stereo Speaker	\$ 3-Way Switch	50 AMP Electrical Box
↖ Backup Light	⊙ Air Inlet/Outlet	⊗ GFI Recept	100 AMP Electrical Box



**UV 7 X 12 TA - 8.5**



CUSTOMER: \_\_\_\_\_

SERIAL: \_\_\_\_\_

ORDER: \_\_\_\_\_

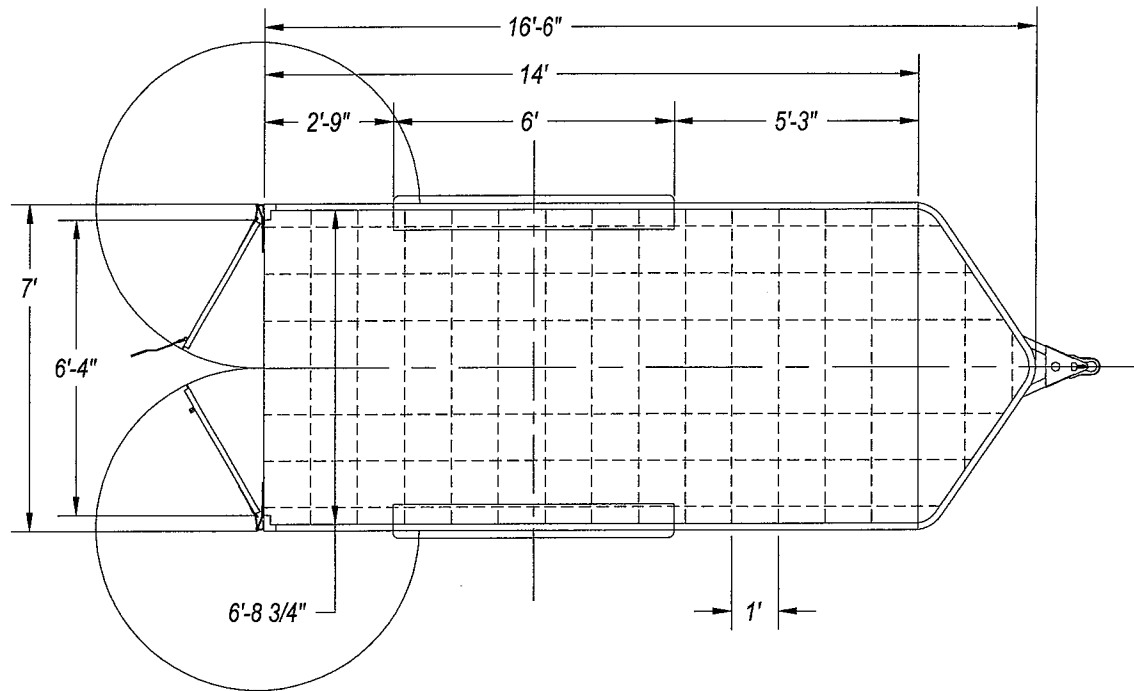
REV. DATE: \_\_\_\_\_

DRN BY: \_\_\_\_\_



APPROVED BY: DATE \_\_\_\_\_ INITIALS \_\_\_\_\_  
 SALES \_\_\_\_\_  
 DEALER \_\_\_\_\_  
 CUSTOMER \_\_\_\_\_  
 © 2006 United Trailers

12V Dome Light	STEREO	110V Switch	Motorbase Plug
12V Switch	3-Way 12V Switch	Interior Recept	30 AMP Electrical Box
12V Porch/Load Light	Stereo Speaker	3-Way Switch	50 AMP Electrical Box
Backup Light	Air Inlet/Outlet	GFI Recept	100 AMP Electrical Box



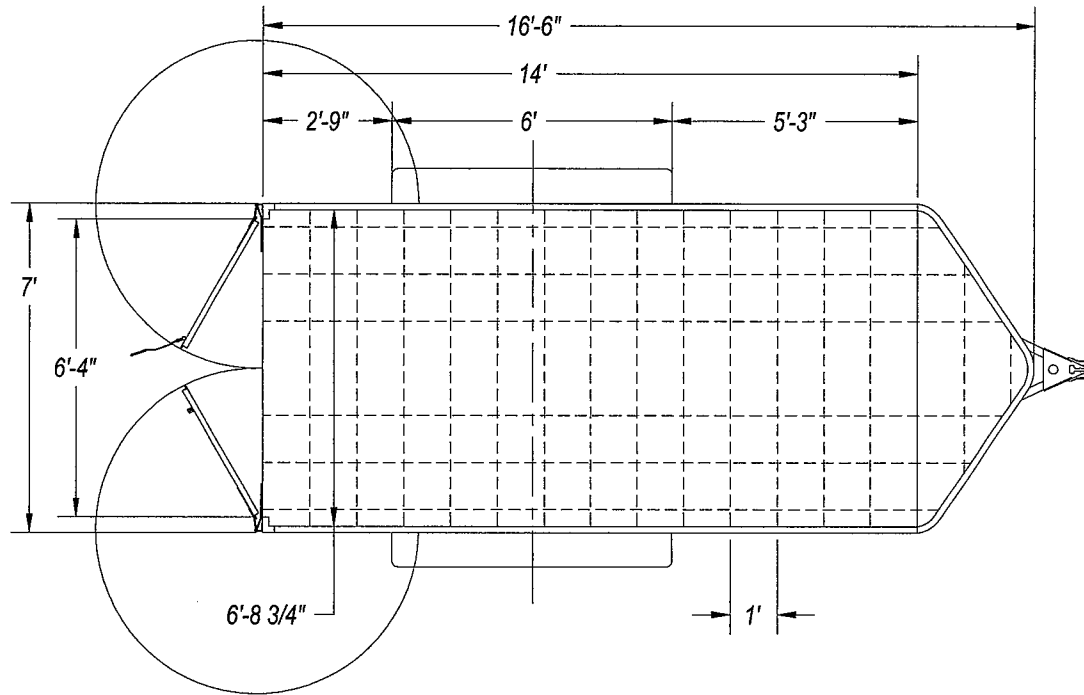
**UV 7 X 14 TA**



CUSTOMER: \_\_\_\_\_ SERIAL: \_\_\_\_\_ ORDER: \_\_\_\_\_ REV. DATE: \_\_\_\_\_ DRN BY: \_\_\_\_\_

APPROVED BY: DATE \_\_\_\_\_ INITIALS \_\_\_\_\_  
 SALES \_\_\_\_\_  
 DEALER \_\_\_\_\_  
 CUSTOMER \_\_\_\_\_  
 © 2006 United Trailers

☉ 12V Dome Light	STEREO	\$ 110V 110V Switch	⊗ Motorbase Plug
\$ 12V Switch	\$ 3-Way 12V Switch	⊙ Interior Recept	30 AMP Electrical Box
☐ 12V Porch/Load Light	⊗ Stereo Speaker	\$ 3-Way Switch	50 AMP Electrical Box
↗ Backup Light	⊙ Air Inlet/Outlet	⊗ GFI Recept	100 AMP Electrical Box



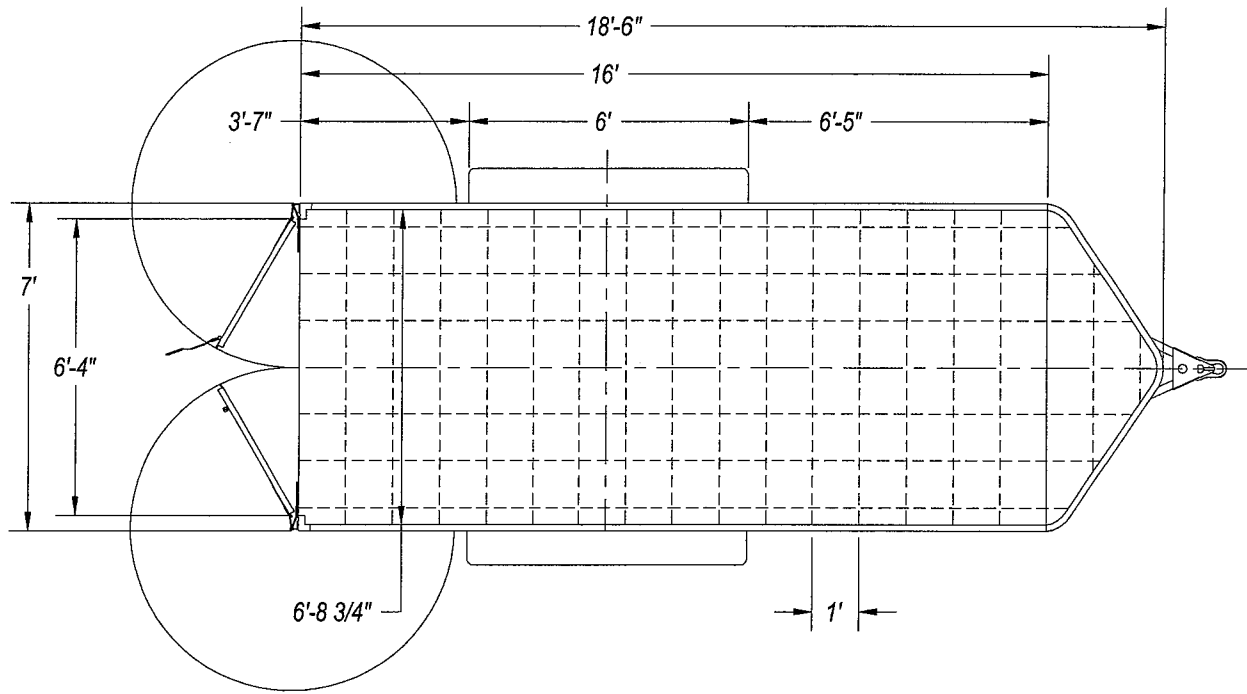
**UV 7 X 14 TA - 8.5**



CUSTOMER: \_\_\_\_\_ SERIAL: \_\_\_\_\_ ORDER: \_\_\_\_\_ REV. DATE: \_\_\_\_\_ DRN BY: \_\_\_\_\_

APPROVED BY: \_\_\_\_\_ DATE \_\_\_\_\_ INITIALS \_\_\_\_\_  
 SALES \_\_\_\_\_  
 DEALER \_\_\_\_\_  
 CUSTOMER \_\_\_\_\_  
 © 2006 United Trailers

12V Dome Light	STEREO	110V Switch	Motorbase Plug
12V Switch	3-Way 12V Switch	Interior Recept	30 AMP Electrical Box
12V Porch/Load Light	Stereo Speaker	3-Way Switch	50 AMP Electrical Box
Backup Light	Air Inlet/Outlet	GFI Recept	100 AMP Electrical Box



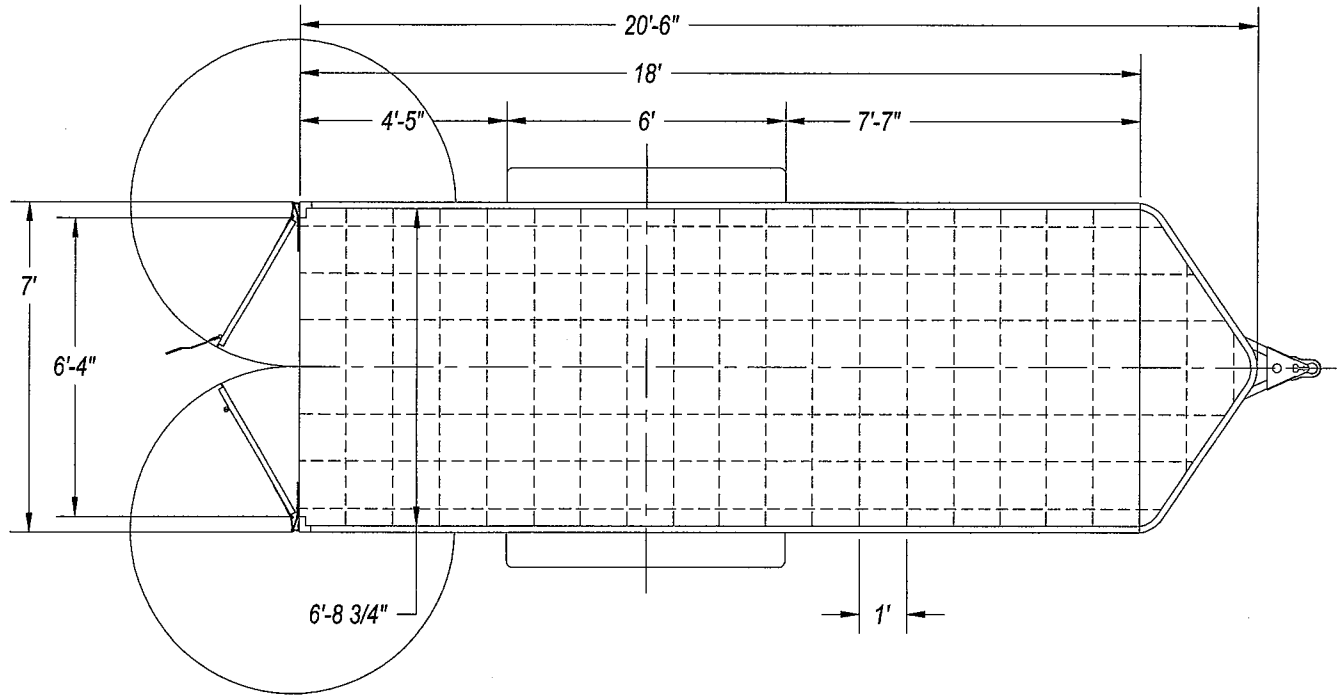
**UV 7 X 16 TA - 8.5**



CUSTOMER: \_\_\_\_\_ SERIAL: \_\_\_\_\_ ORDER: \_\_\_\_\_ REV. DATE: \_\_\_\_\_ DRN BY: \_\_\_\_\_

APPROVED BY: DATE INITIALS  
 SALES \_\_\_\_\_  
 DEALER \_\_\_\_\_  
 CUSTOMER \_\_\_\_\_  
 © 2006 United Trailers

☉ 12V Dome Light	STEREO	\$ 110V 110V Switch	⊗ Motorbase Plug
\$ 12V Switch	\$ 3-Way 12V Switch	⊙ Interior Recept	30 AMP Electrical Box
☐ 12V Porch/Load Light	⊗ Stereo Speaker	\$ 3-Way Switch	50 AMP Electrical Box
☛ Backup Light	⊙ Air Inlet/Outlet	⊙ GFI Recept	100 AMP Electrical Box



# UV 7 X 18 TA - 8.5



CUSTOMER:

UV-718TA35-8.5  
 SERIAL: ORDER:

REV. DATE:

DRN BY: